

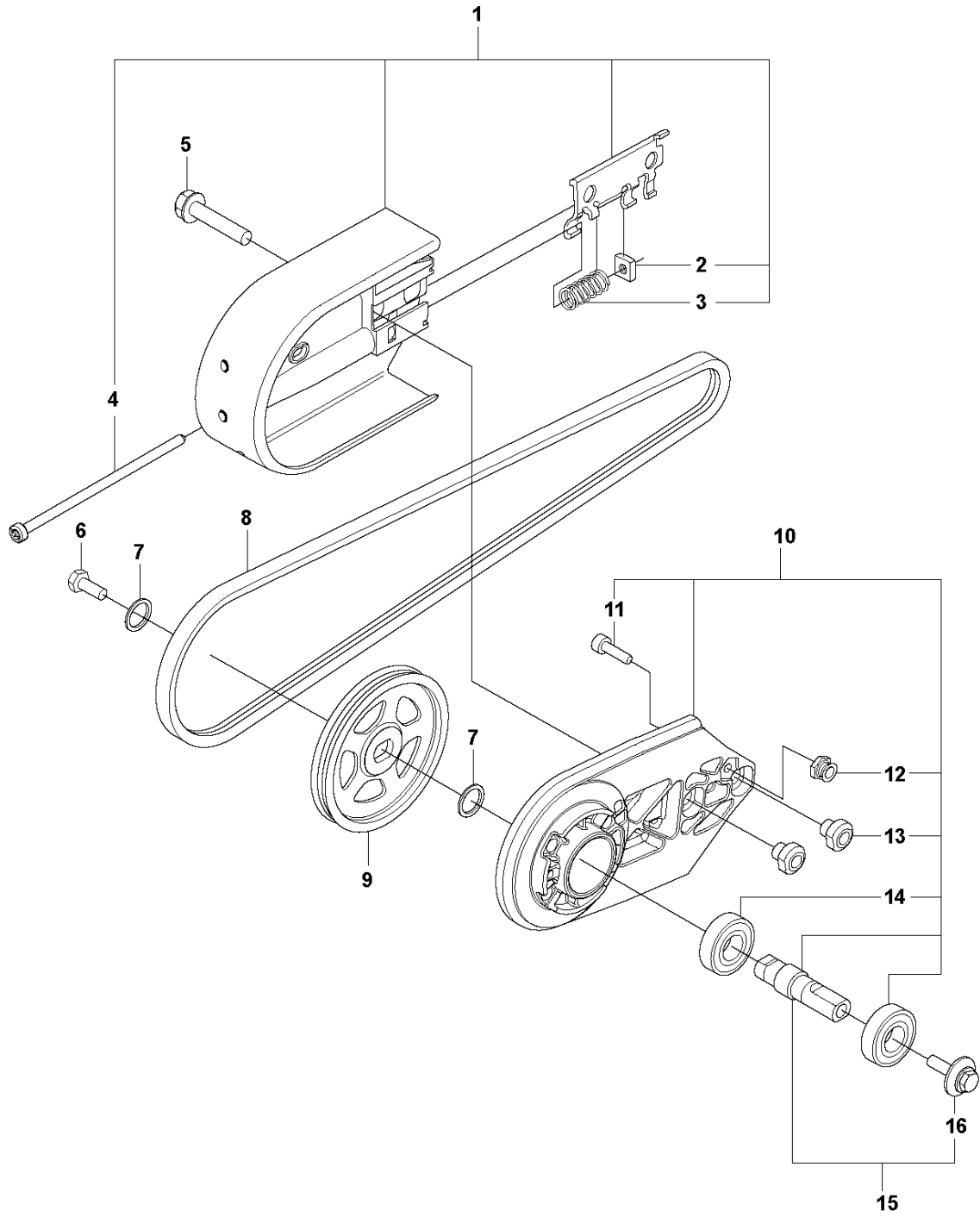


SPARE PARTS LIST

POWER CUTTERS

K1270 II / K1270 II RAIL, 2019-12

A K1270 II / K1270 II RAIL
BELT GUARD & PULLEY

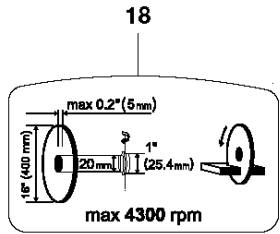
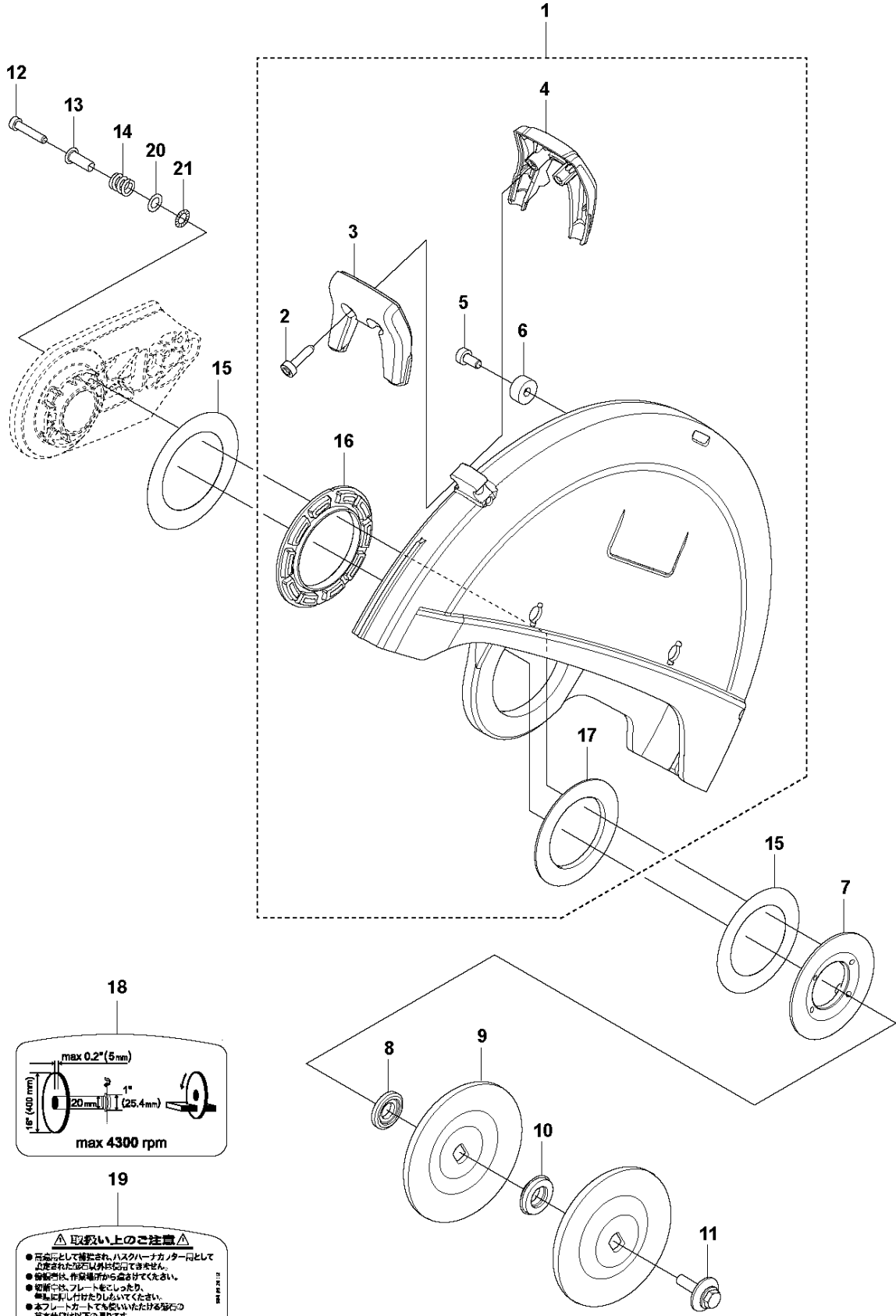


BELT GUARD & PULLEY

K1270 II / K1270 II RAIL, 2019-12

Ref	Part No	Description	Remark	QTY KIT	
1	506 27 92-06	BELT GUARD		1	
1	506 27 92-07	BELT GUARD	Rail 14"	1	
1	506 27 92-08	BELT GUARD	Rail 16"	1	
2	506 40 93-01	NUT		1	1
3	506 26 68-01	COMPRESSION SPRING		1	1
4	503 20 72-05	SCREW CITXSCM		1	1
5	506 28 44-01	SCREW EHHFM		2	
6	503 20 00-45	SCREW EHHFM		1	
7	503 23 01-04	WASHER		2	
8	544 97 63-01	BELT	14" 16", Rail 14"	1	
8	544 97 63-02	BELT	Rail 16"	1	
9	578 11 05-01	PULLEY		1	
10	589 39 03-03	BEARING HOUSING		1	
11	505 57 41-16	SCREW ITXSCM		1	10
12	586 41 69-01	STOP		1	10
13	584 78 81-01	NUT		2	10
14	583 95 33-01	BALL BEARING		2	10
15	588 99 24-03	SHAFT		1	
16	590 50 38-01	SCREW		1	15

B K1270 II
BLADE GUARD



19

△ 取扱い上のご注意 △

- 商品として提供され、ハスクバーナカッター品として認定された部品以外は付属できません。
- 取扱書は、作業場所から遠ざけてください。
- 切断中は、フレートをしっかりと、常に押し付けたりしないでください。
- 本フレートカードでも使えないような形の岩石の落下は必ず以下の通りです。

※ 取組サイズ: 380x4 Bitmm
 最高回転速度: 90 m/sec

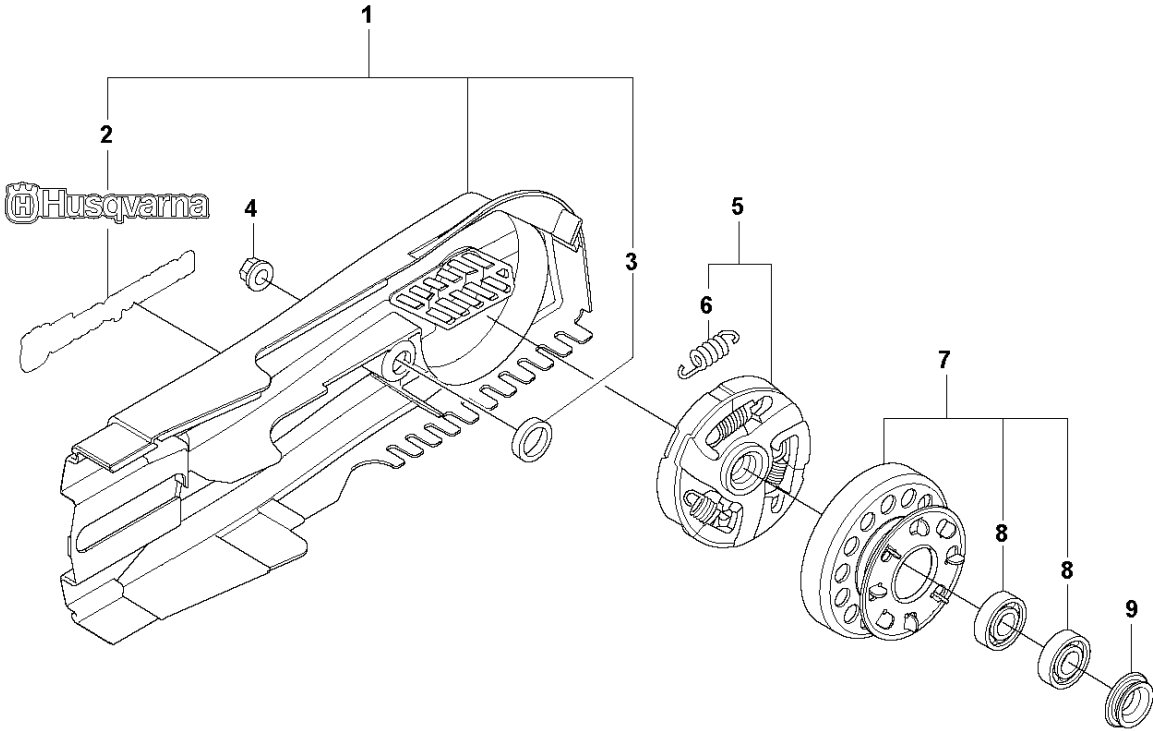
Husqvarna

BLADE GUARD

K1270 II / K1270 II RAIL, 2019-12

Ref	Part No	Description	Remark	QTY	KIT
1	581 35 19-04	WHEEL GUARD	14"	1	
1	581 35 19-06	WHEEL GUARD	16"	1	
2	504 90 94-14	SCREW ITXSCT		2	1
3	578 19 09-01	HANDLE HALF		1	1
4	578 76 09-01	HANDLE HALF		1	1
5	504 90 94-10	SCREW ITXSCT		1	1
6	581 62 03-01	STOP		1	1
7	584 43 77-01	DISC		1	
8	584 43 83-01	SUPPORT FLANGE		1	
9	583 87 44-02	FLANGE	Diam 105mm	1	
9	506 07 09-02	FLANGE WASHER	Diam 119mm Japan 14", 16"	1	
10	581 60 54-03	BUSHING	Diam 30,5 mm	1	
10	578 39 82-01	BUSHING	Diam 20/25,4mm	1	
10	506 37 96-22	KIT	Diam 22,2mm	1	
11	590 50 38-01	SCREW		1	
12	544 21 84-30	SCREW ITXSCT		4	
13	584 43 82-01	SLEEVE	14" Shiny	4	
13	584 43 82-02	SLEEVE	16" Black	4	
14	584 43 81-01	SPRING		4	
15	584 43 78-01	SHIM		2	
16	584 43 79-01	LINING		1	1
17	584 43 80-01	LINING		1	1
18	581 11 77-06	DECAL	14"	1	
18	581 11 77-07	DECAL	16"	1	
19	584 99 26-03	DECAL	16" Japan	1	
19	584 99 26-02	DECAL	14" Japan	1	
20	582 23 31-01	WASHER		2	
21	582 23 32-01	WASHER		2	

C K1270 II / K1270 II RAIL
BELT GUARD

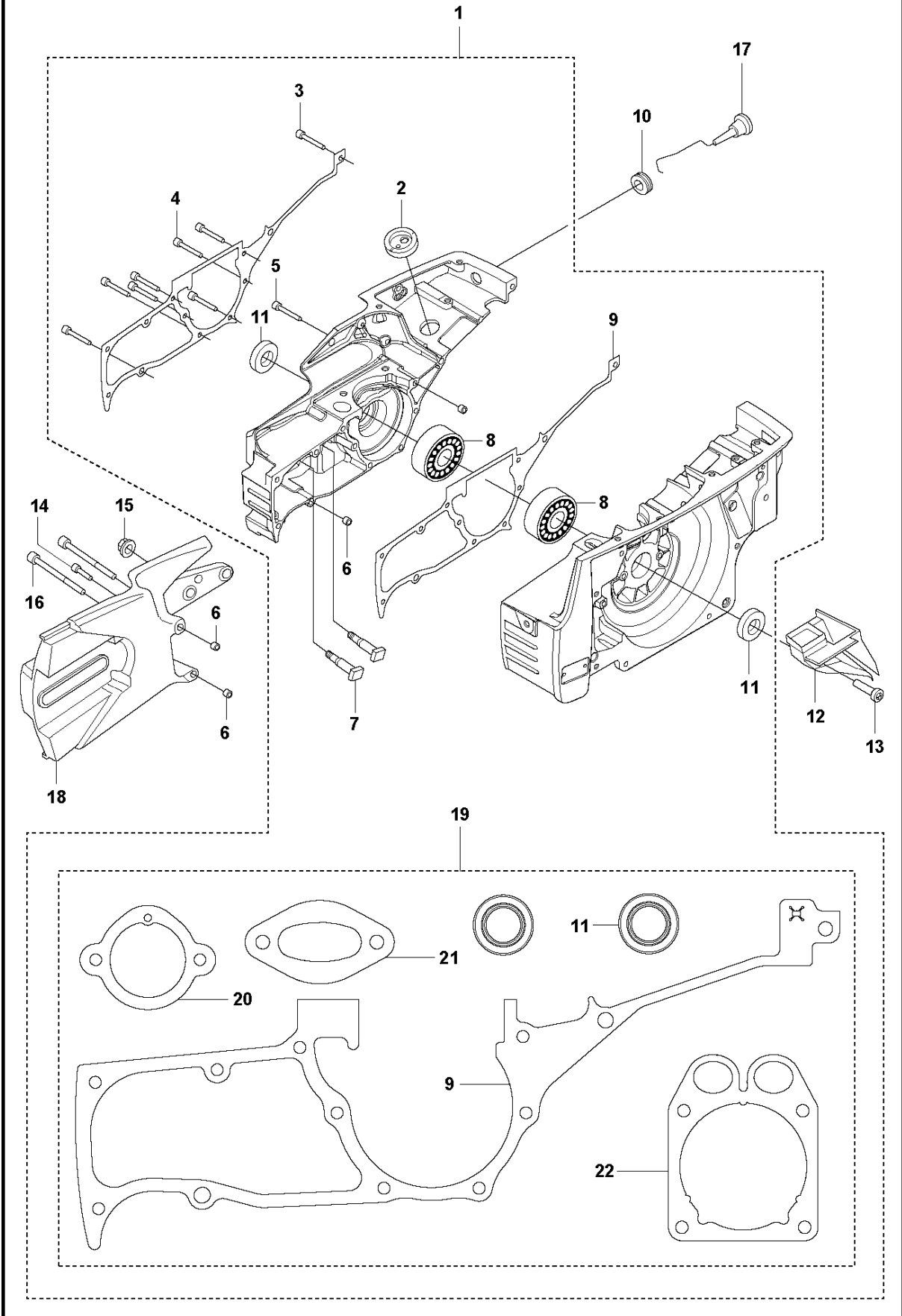


BELT GUARD

K1270 II / K1270 II RAIL, 2019-12

Ref	Part No	Description	Remark	QTY KIT	
1	506 27 17-04	BELT GUARD		1	
2	544 87 36-01	LABEL		1	1
3	506 26 84-01	SPACING SLEEVE		1	1
4	503 22 00-01	HEXAGON NUT		1	
5	503 14 49-01	CLUTCH ASSY		1	
6	503 14 51-01	CLUTCH SPRING		3	5
7	588 80 92-01	DRIVING PULLEY ASSY	14"	1	
7	588 80 92-02	DRIVING PULLEY ASSY	16"	1	
8	525 83 18-01	BALL BEARING		2	7
9	587 53 64-01	SPACING SLEEVE		1	

D K1270 II / K1270 II RAIL
CRANKCASE

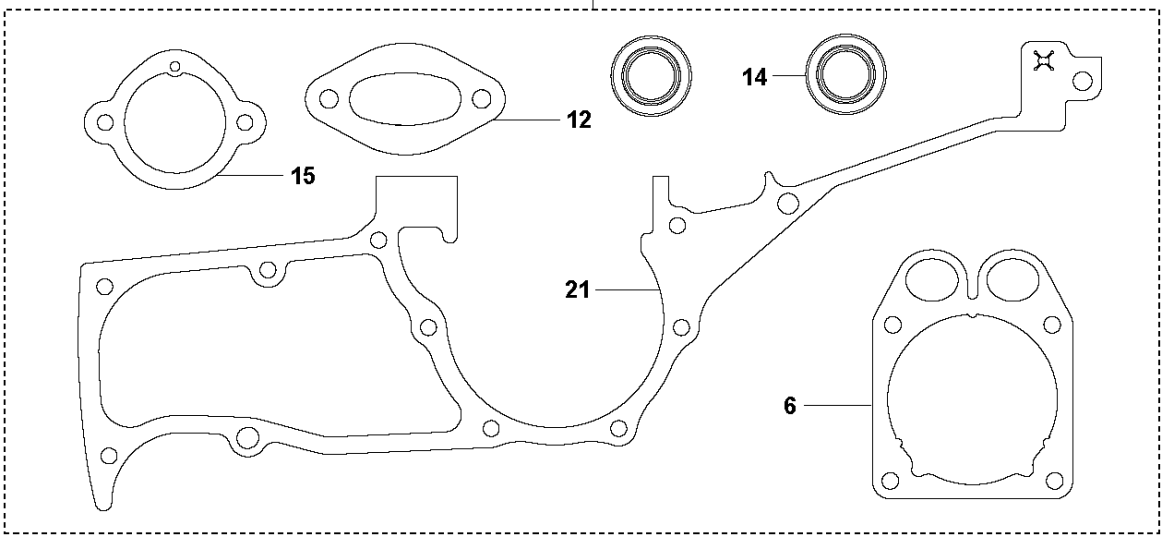
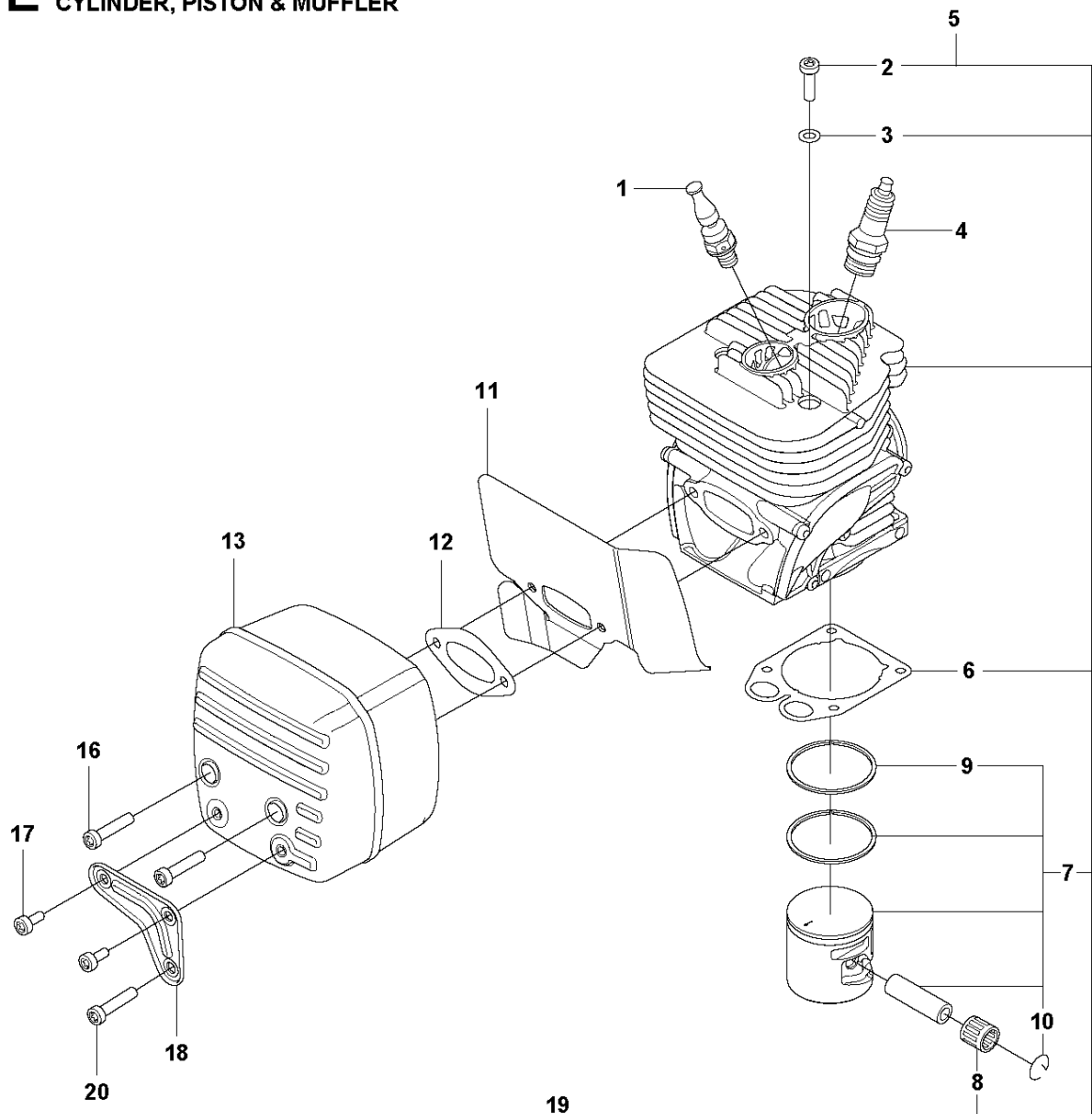


CRANKCASE

K1270 II / K1270 II RAIL, 2019-12

Ref	Part No	Description	Remark	QTY	KIT
1	582 41 50-04	CRANKCASE		1	
2	503 13 20-01	GROMMET		1	1
3	503 21 53-20	SCREW ITXSCM		1	1
4	503 21 53-41	SCREW ITXSCM		7	1
5	544 21 84-20	SCREW ITXSCM		9	1
6	501 27 08-01	GUIDE BUSHING		1	1
7	501 81 57-01	BAR BOLT		4	1
8	503 25 00-02	BALL BEARING		2	1
9	582 35 00-01	GASKET		2	1, 19
10	503 14 54-02	GROMMET		1	
11	503 26 02-05	SEALING RING		1	1, 19
12	506 23 70-01	AIR NOZZLE		2	
13	501 98 10-01	SCREW ITXSCM		1	
14	503 21 53-21	SCREW ITXSCM		1	
15	503 22 00-01	HEXAGON NUT		1	
16	503 21 53-65	SCREW ITXSCM		1	
17	506 25 43-02	CHOKE CONTROL		2	
18	506 24 14-05	CUTTER ARM		1	
19	582 45 48-01	GASKET KIT		1	1
20	579 85 11-01	GASKET		1	1, 19
21	585 28 09-01	GASKET		1	1, 19
22	587 53 62-01	GASKET		1	1, 19

E K1270 II / K1270 II RAIL
CYLINDER, PISTON & MUFFLER

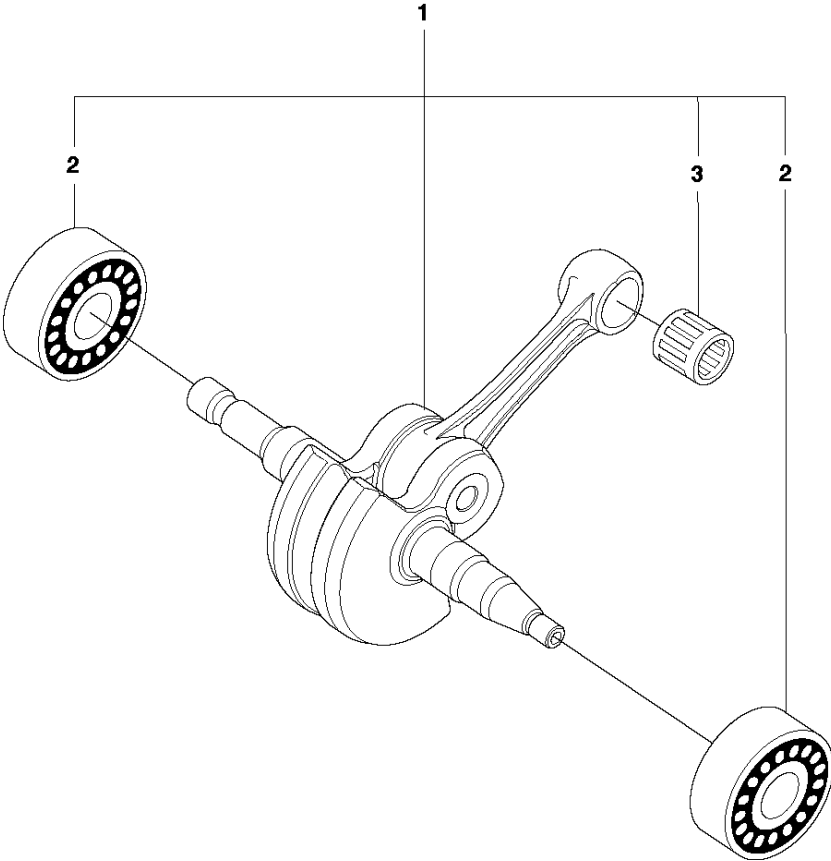


CYLINDER, PISTON & MUFFLER

K1270 II / K1270 II RAIL, 2019-12

Ref	Part No	Description	Remark	QTY	KIT
1	584 91 22-04	DECOMPRESSION VALVE		1	
2	516 00 24-01	SCREW UNC		4	5
3	503 23 00-05	WASHER		4	5
4	503 23 51-11	SPARK PLUG		1	
5	582 58 23-03	CYLINDER ASSY		1	
6	587 53 62-01	GASKET		1	5, 19
7	587 82 98-02	PISTON ASSY		1	5
8	503 13 29-01	NEEDLE HOLDER		1	5
9	587 83 00-01	PISTON RING		2	5, 7
10	737 44 13-00	CIRCLIP		2	5, 7
11	587 53 63-01	HEAT DEFLECTOR		1	
12	585 28 09-01	GASKET		1	19
13	505 41 79-05	MUFFLER ASSY		1	
14	503 26 02-05	SEALING RING		2	19
15	579 85 11-01	GASKET		1	19
16	544 21 84-07	SCREW ITXSCM		2	
17	503 21 53-12	SCREW ITXSCM		2	
18	502 85 08-01	SUPPORT		1	
19	582 45 48-01	GASKET KIT		1	
20	544 21 84-20	SCREW ITXSCM		1	
21	582 35 00-01	GASKET		1	19

F K1270 II / K1270 II RAIL
CRANKSHAFT

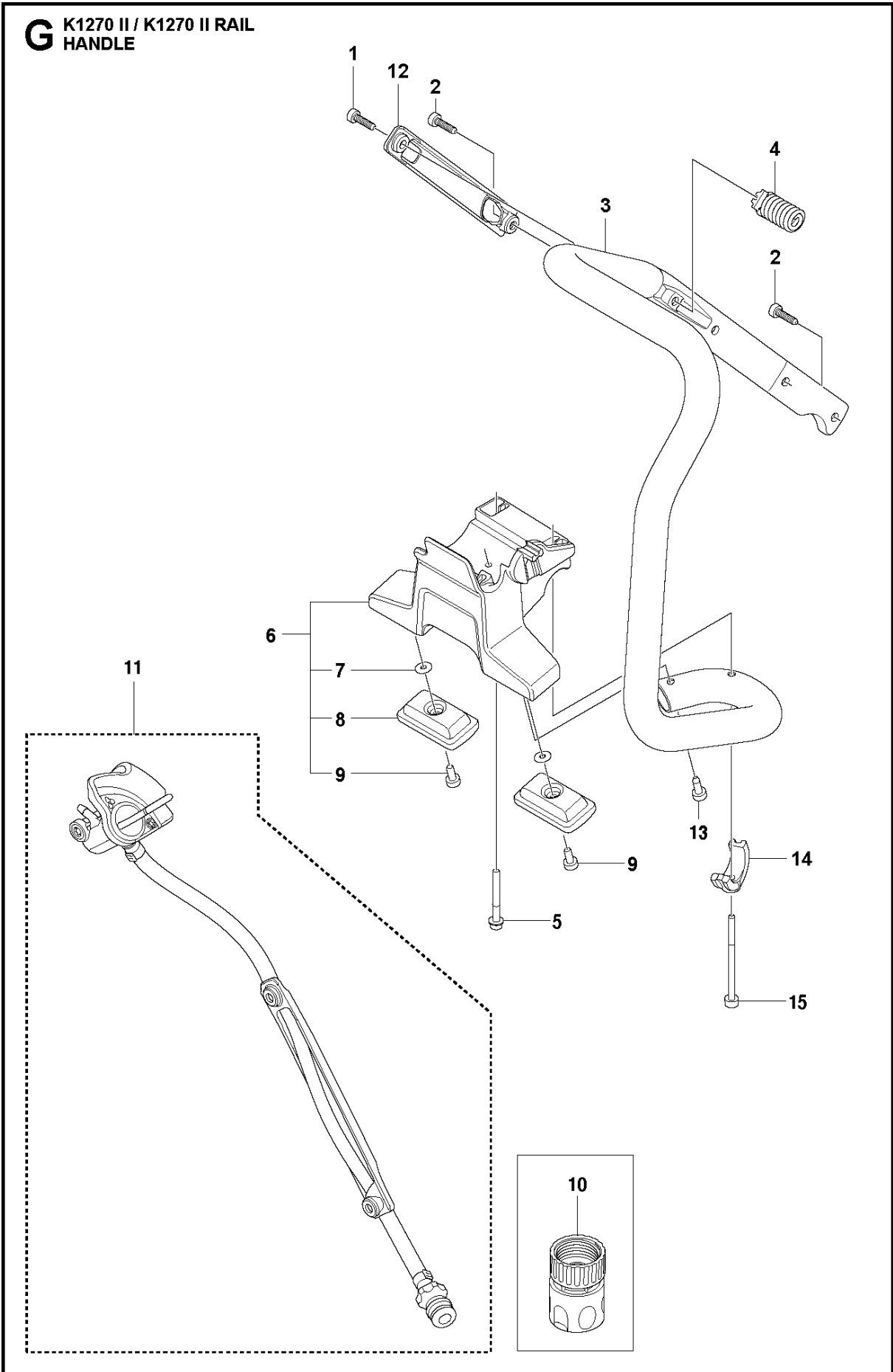


CRANKSHAFT

K1270 II / K1270 II RAIL, 2019-12

Ref	Part No	Description	Remark	QTY	KIT
1	577 34 38-03	CRANKSHAFT		1	
2	503 25 00-02	BALL BEARING		2	1
3	503 13 29-01	NEEDLE HOLDER		1	1

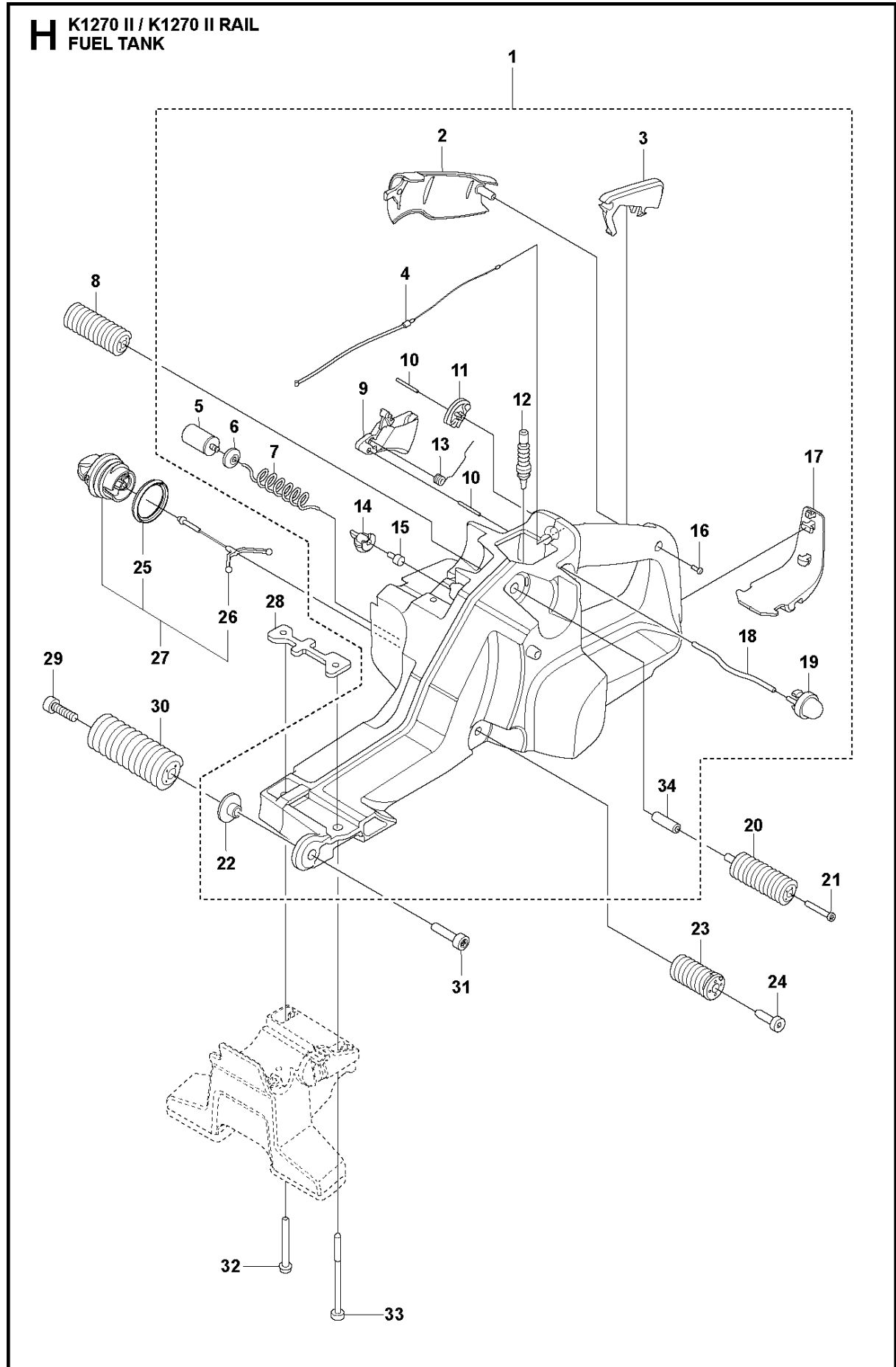
G K1270 II / K1270 II RAIL
HANDLE



HANDLE

K1270 II / K1270 II RAIL, 2019-12

Ref	Part No	Description	Remark	QTY	KIT
1	544 06 12-01	SCREW ITXSCM		1	
2	503 21 54-20	SCREW ITXSCT		2	
3	596 77 93-01	HANDLE		1	
4	585 90 56-01	ANTIVIBRATION ELEMENT		1	
5	525 75 52-04	SCREW ITXSFCM		2	
6	525 82 04-02	GROUND SUPPORT		1	
7	734 11 47-41	WASHER		2	6
8	544 81 16-01	BASE		2	6
9	504 90 94-14	SCREW ITXSCT		3	6
10	503 26 60-04	COUPLER		1	
10	503 26 60-03	COUPLER	USA, CANADA	1	
11	581 47 62-14	HOSE KIT		1	
12	596 55 27-01	HOSE GUARD		1	
13	582 82 08-01	SCREW		3	
14	579 83 27-01	HANDLE BRACKET		1	
15	503 21 53-75	SCREW		1	

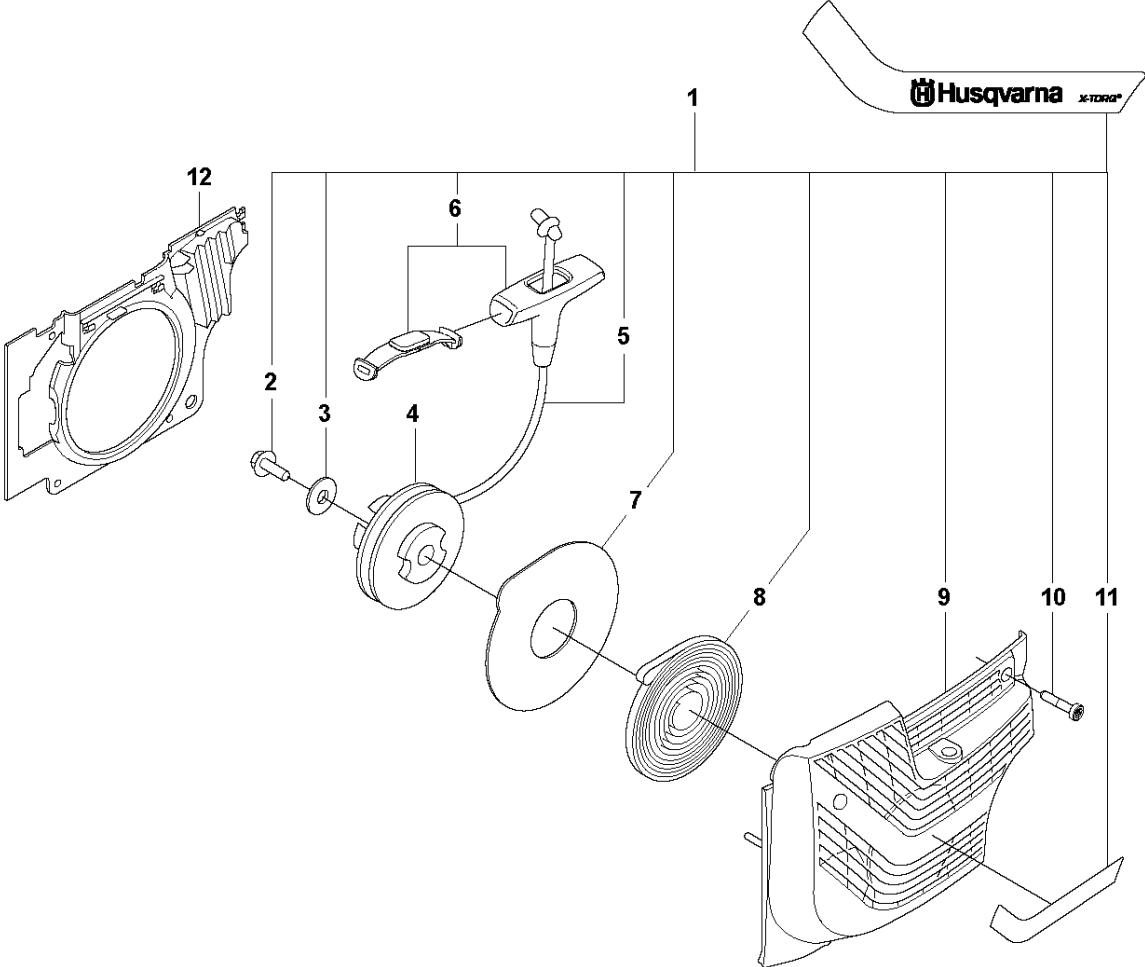


FUEL TANK

K1270 II / K1270 II RAIL, 2019-12

Ref	Part No	Description	Remark	QTY	KIT
1	598 80 64-01	FUEL TANK		1	
2	537 20 56-01	COVER		1	1
3	510 25 52-01	THROTTLE LOCKOUT		1	1
4	596 92 77-01	THROTTLE CABLE ASSY		1	1
5	506 26 41-01	FUEL FILTER		1	1
6	506 27 11-01	HOSE CLAMP		1	1
7	581 75 62-03	FUEL HOSE		1	1
8	585 22 63-01	ANTIVIBRATION ELEMENT		1	
9	502 47 18-01	THROTTLE CONTROL		1	1
10	720 12 40-20	PARALLEL PIN		2	1
11	537 20 85-01	LEVER		1	1
12	576 13 99-01	FUEL HOSE		1	1
13	537 20 98-01	SPRING		1	1
14	577 31 35-01	TANK VENT VALVE ASSY		1	1
15	501 15 29-01	TANK VENT ASSY		1	1
16	525 88 74-02	SCREW CITXPANT		1	1
17	588 19 82-01	GROUND SUPPORT		1	1
18	537 04 24-19	FUEL HOSE		1	1
19	540 05 49-01	AIR CLEANER		1	1
20	585 22 64-01	ANTIVIBRATION ELEMENT		1	
21	544 21 84-20	SCREW ITXSCM		2	
22	503 14 08-01	BUSHING		1	1
23	537 21 03-05	ANTIVIBRATION ELEMENT		1	
24	544 06 12-01	SCREW ITXSCM		2	
25	589 24 11-01	GASKET		1	27
26	503 57 89-01	HOLDER		1	27
27	522 62 00-03	TANK CAP ASSY		1	
28	582 39 57-01	ATTACHMENT PLATE		1	
29	503 21 53-20	SCREW ITXSCM		1	
30	503 13 27-02	ANTIVIBRATION ELEMENT		1	
31	503 21 53-25	SCREW ITXSCM		2	
32	525 75 52-04	SCREW ITXSCFM		1	
33	503 21 53-75	SCREW		1	
34	503 13 49-01	SPACING TUBE		1	1

J K1270 II / K1270 II RAIL
STARTER

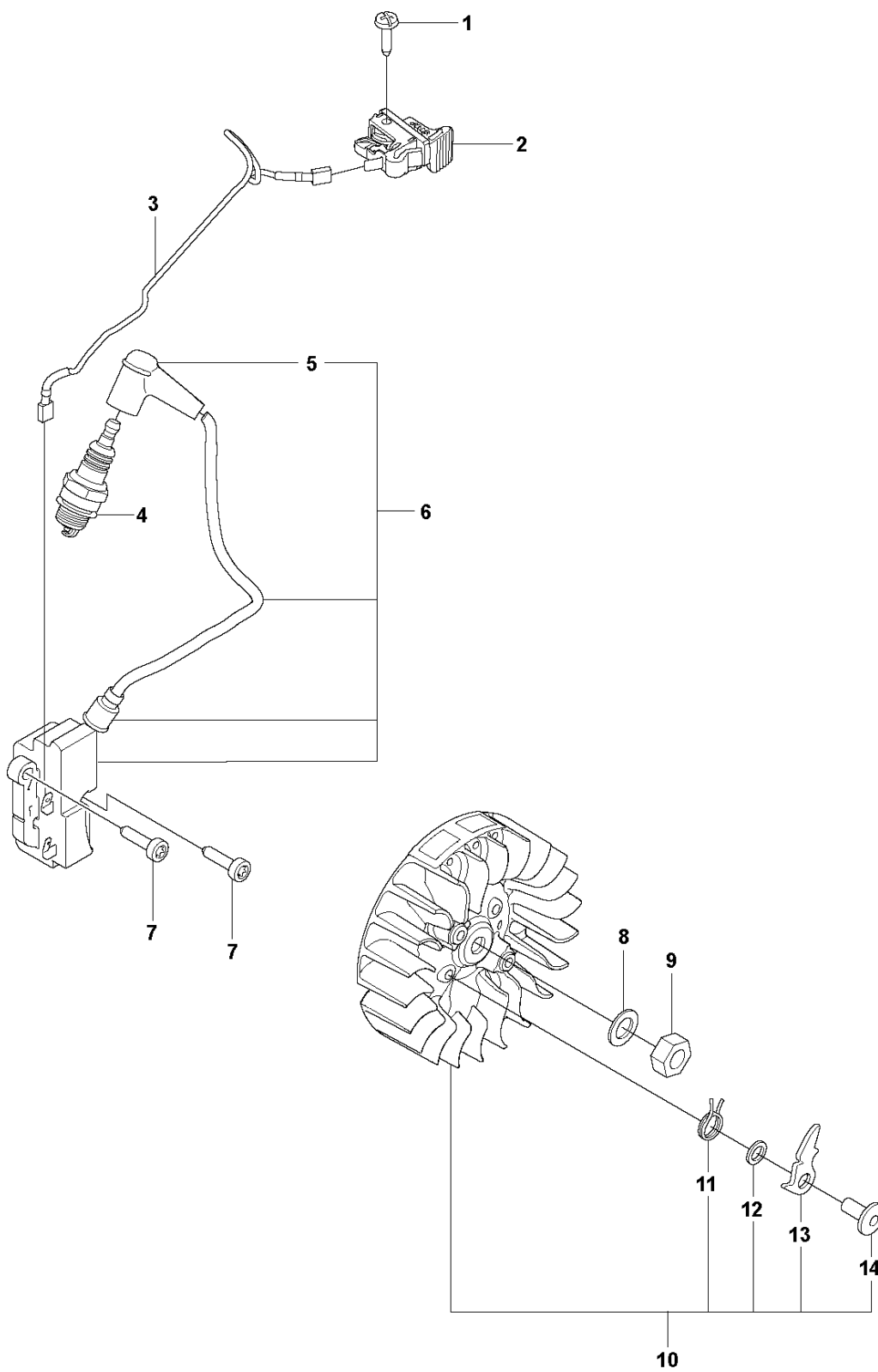


STARTER

K1270 II / K1270 II RAIL, 2019-12

Ref	Part No	Description	Remark	QTY	KIT
1	506 27 55-10	STARTER		1	1
2	503 21 49-72	SCREW IHSCFT		1	1
3	503 23 43-02	WASHER		1	1
4	501 89 67-04	STARTER PULLEY		1	1
5	506 33 56-25	STARTER CORD		1	1
5	506 33 56-50	STARTER CORD	50meter	1	1
6	584 25 79-02	STARTER HANDLE ASSY		1	1
7	503 74 36-01	DISC		1	1
8	503 13 50-01	RECOIL SPRING		1	1
9	506 25 58-03	STARTER COVER		1	1
10	501 98 10-05	SCREW ITXSCM		4	1
11	582 14 19-01	DECAL		1	1
12	501 89 59-02	AIR CONDUCTOR		1	1
12	501 89 59-03	AIR CONDUCTOR	Rail stop switch only	1	

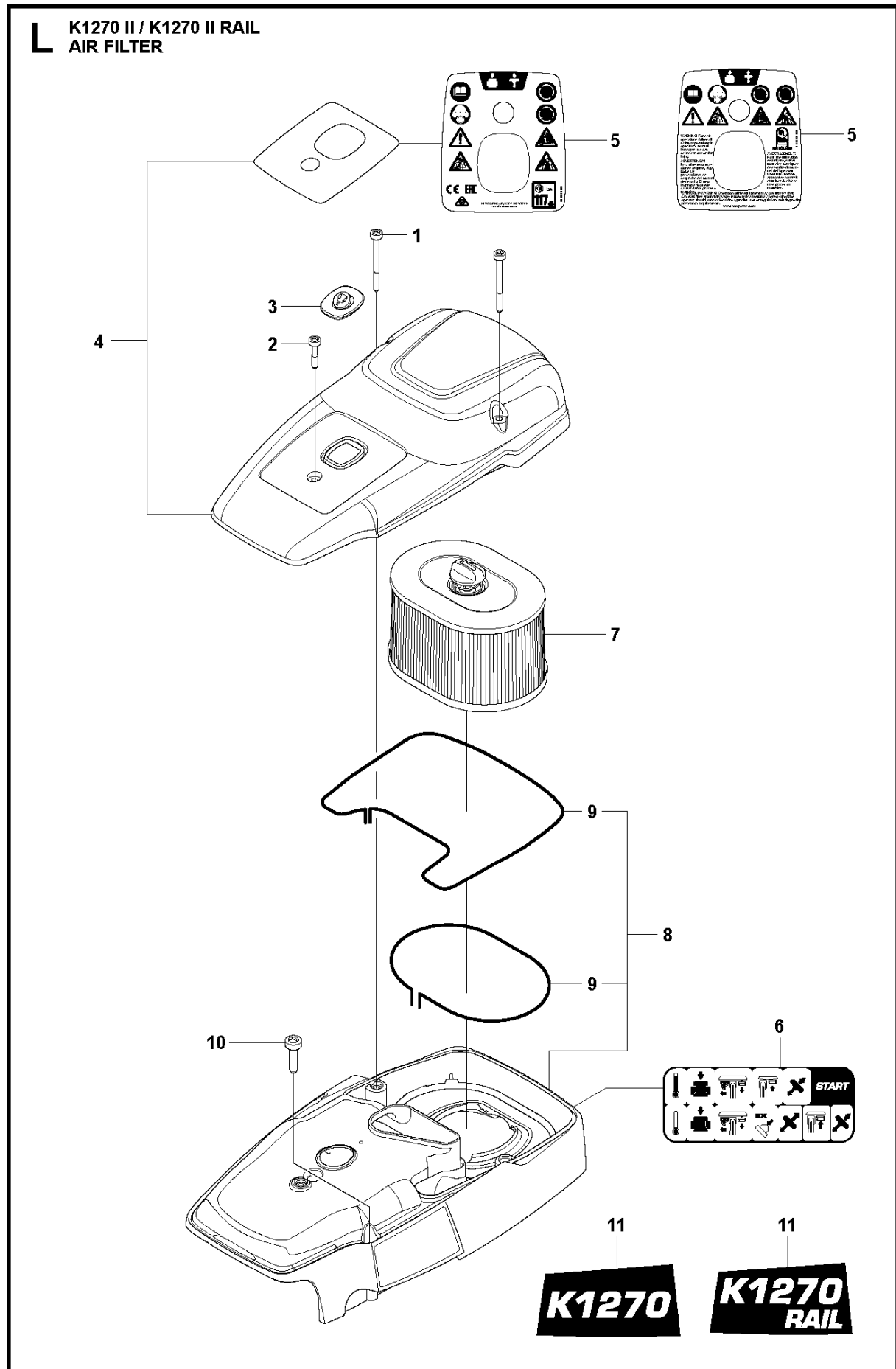
K K1270 II / K1270 II RAIL
IGNITION SYSTEM



IGNITION SYSTEM

K1270 II / K1270 II RAIL, 2019-12

Ref	Part No	Description	Remark	QTY	KIT
1	525 88 74-03	SCREW CITXPANT		1	
2	506 31 86-04	STOP SWITCH		1	
3	501 83 98-03	CABLE		1	
4	503 23 51-11	SPARK PLUG		1	
5	590 50 45-01	SPARK PLUG CAP		1	6
6	580 38 05-07	IGNITION MODULE		1	
7	525 82 49-13	SCREW ITXSCM		2	
8	735 11 73-50	SPRING WASHER		1	
9	503 22 10-11	HEXAGON NUT		1	
10	587 24 88-01	FLYWHEEL ASSY		1	
11	501 63 48-01	SPRING		2	10
12	503 23 00-42	WASHER		2	10
13	501 67 32-03	PAWL		2	10
14	501 81 99-01	SCREW		2	10

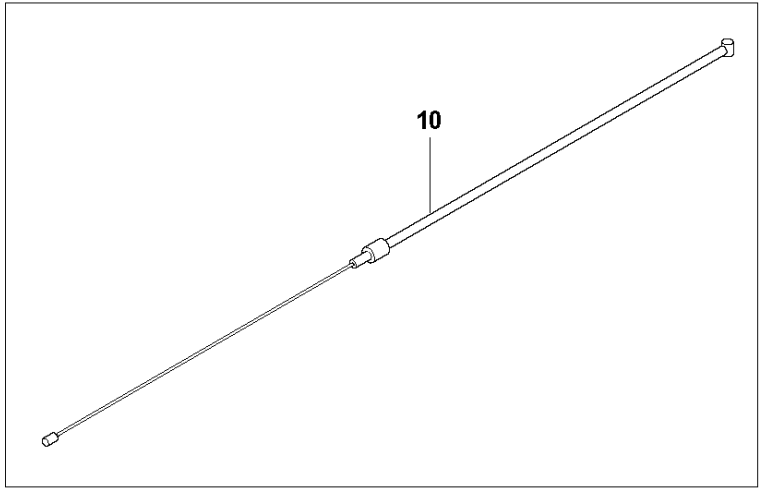
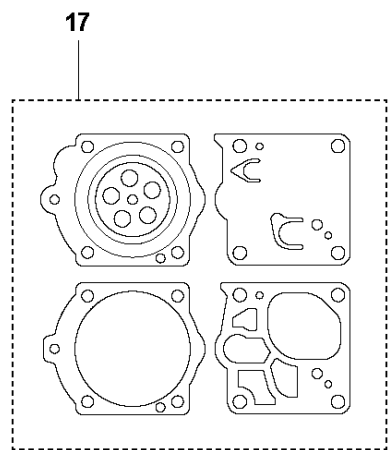
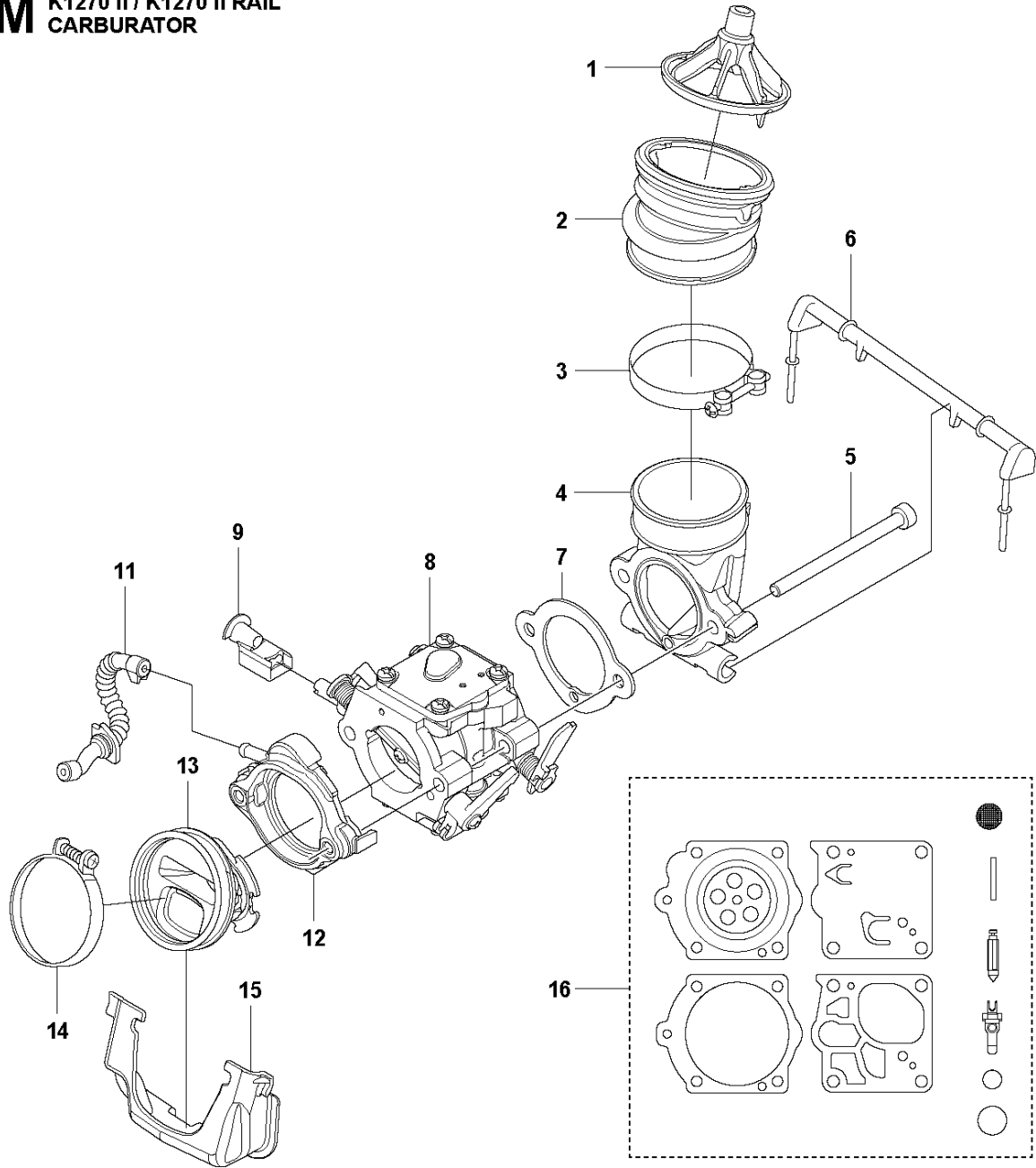


AIR FILTER

K1270 II / K1270 II RAIL, 2019-12

Ref	Part No	Description	Remark	QTY	KIT
1	503 21 53-56	SCREW ITXSCM		2	
2	503 21 53-12	SCREW ITXSCM		1	
3	585 42 83-01	PLUG		1	
4	590 35 78-01	FILTER COVER ASSY		1	
5	589 02 38-04	DECAL	CE	1	4
5	589023805	TBD	USA, CANADA, MEXICO	1	4
6	544 87 38-03	LABEL		1	
7	510 24 41-05	AIR FILTER	Rail	1	
7	510 24 41-03	AIR FILTER	Standard	1	
8	576 55 32-03	CYLINDER COVER		1	
9	525 61 70-04	SEALING		2	8
10	503 21 53-30	SCREW ITXSCM		5	
11	525 81 69-03	LABEL	K1270	1	
11	525 81 69-04	LABEL	K1270 Rail	1	

M K1270 II / K1270 II RAIL
CARBURATOR

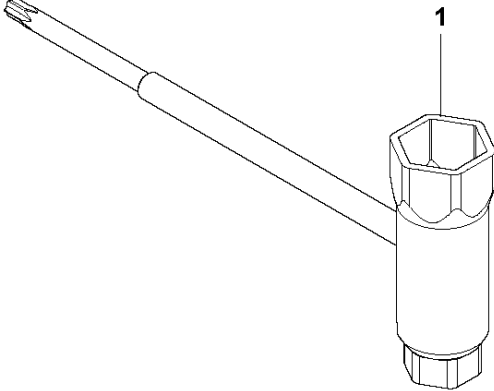


CARBURATOR

K1270 II / K1270 II RAIL, 2019-12

Ref	Part No	Description	Remark	QTY KIT
1	510 24 39-01	FILTER		1
2	510 24 38-02	BELLOWS		1
3	505 28 33-11	HOSE CLAMP		1
4	588 75 07-01	INLET BEND		1
5	503 21 53-65	SCREW ITXSCM		2
6	506 25 04-01	SUPPORT		1
7	579 85 11-01	GASKET		1
8	597 85 70-01	CARBURETTOR		1
9	588 89 20-01	GUIDE SLEEVE		1
10	596 92 77-01	THROTTLE CABLE ASSY		1
11	582 12 57-01	IMPULSE HOSE		1
12	587 53 69-01	FLANGE		1
13	587 53 68-01	INLET PIPE		1
14	505 28 33-16	HOSE CLAMP		1
15	588 63 04-01	INSULATION WALL		1
16	582 60 65-01	REPAIR KIT		1
17	503 59 74-03	GASKET KIT		1

N K1270 II / K1270 II RAIL
TOOLS

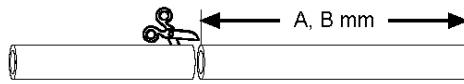


TOOLS

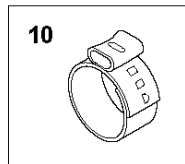
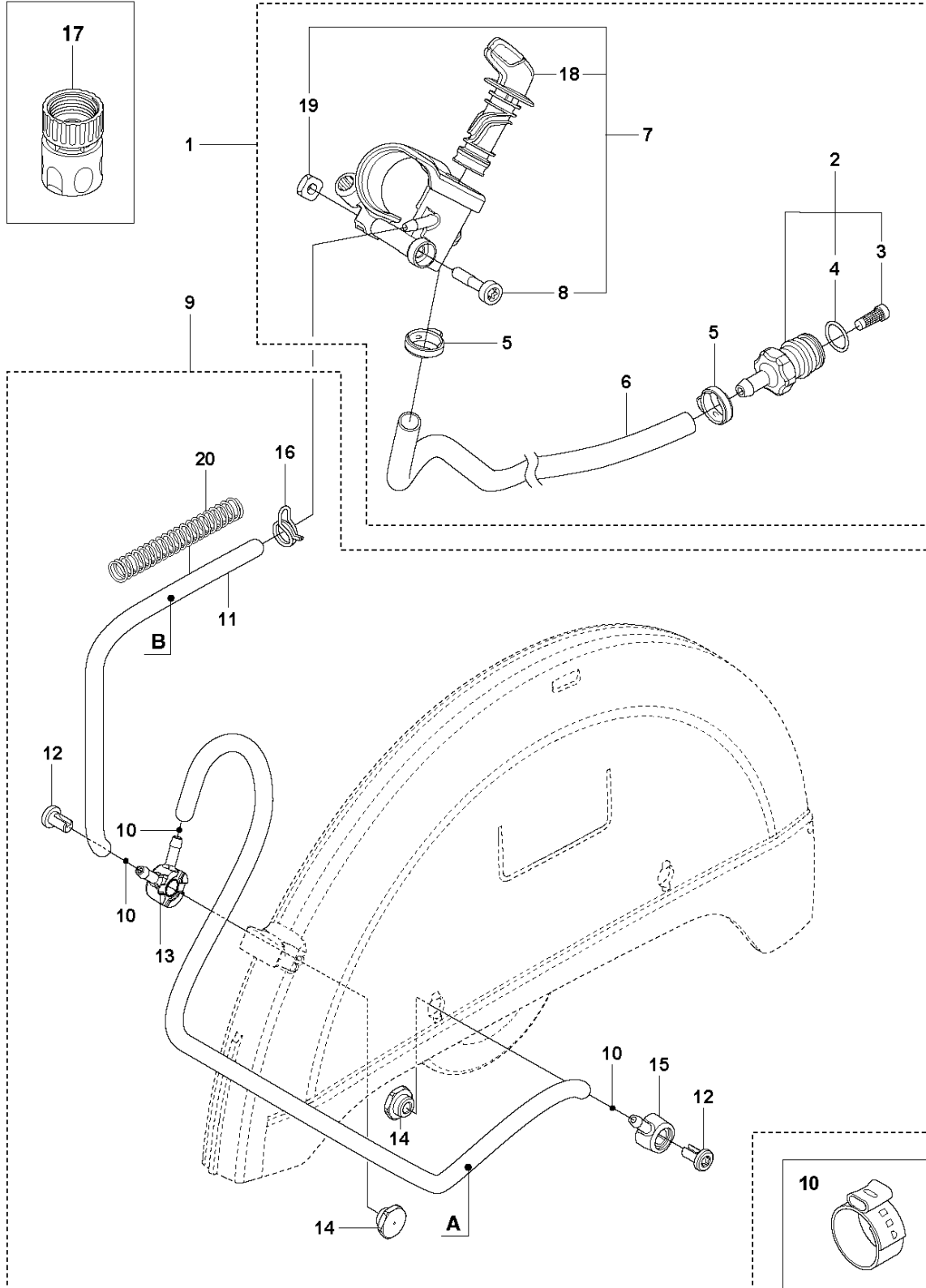
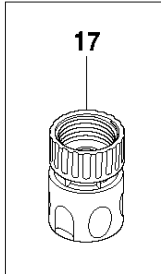
K1270 II / K1270 II RAIL, 2019-12

Ref	Part No	Description	Remark	QTY KIT
1	506 38 26-01	TOOL		1

P K1270 II / K1270 II RAIL
WATER HOSE



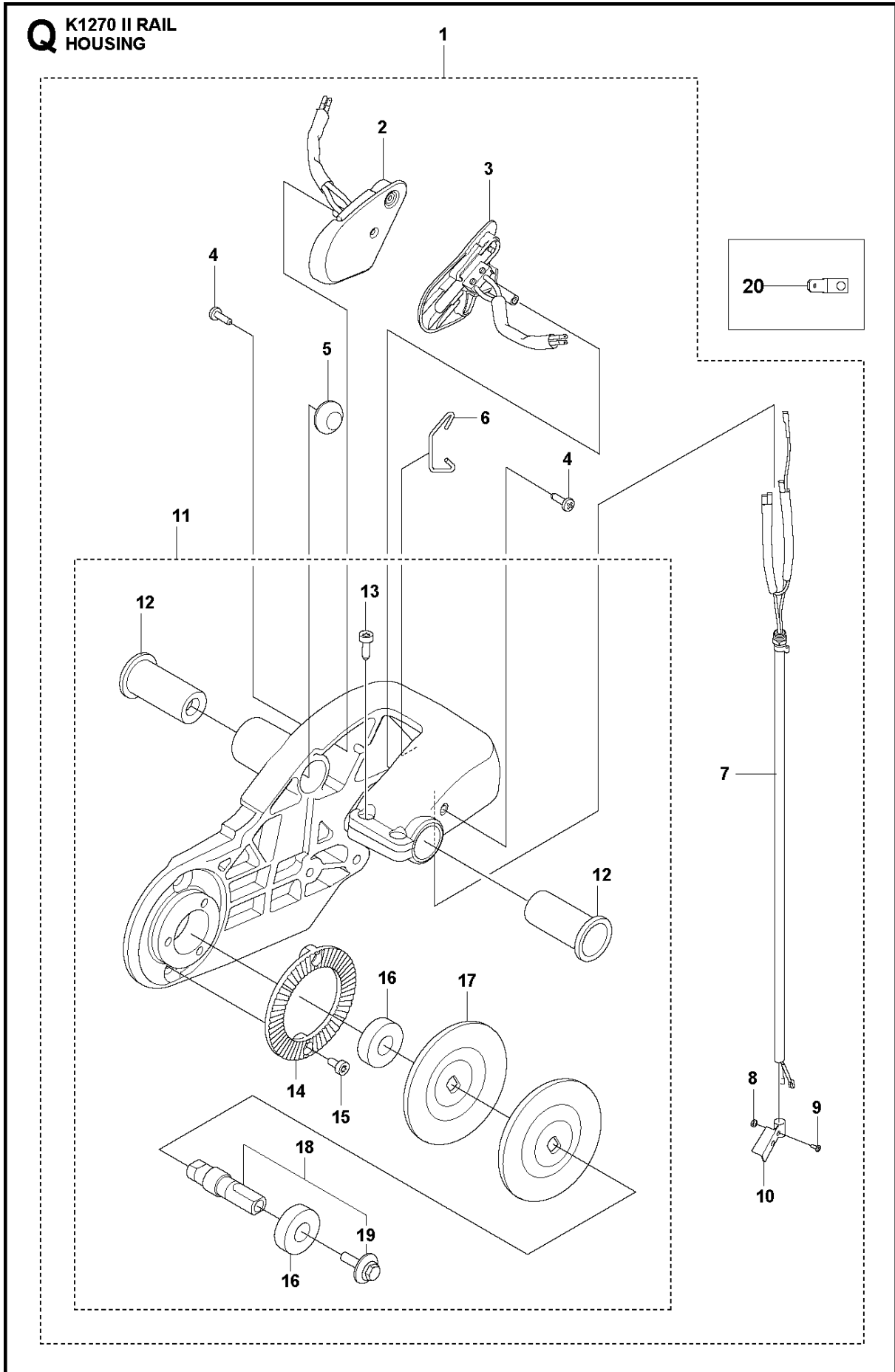
	A (mm)	B (mm)
K1270 14"	260	375
K1270 16"	240	375



HOSE

K1270 II / K1270 II RAIL, 2019-12

Ref	Part No	Description	Remark	QTY	KIT
1	581 47 62-14	HOSE KIT		1	
2	581 47 83-02	NIPPLE		1	1
3	506 29 88-01	FILTER		1	1, 2
4	505 10 35-01	O-RING		1	1, 2
5	589 63 86-01	HOSE CLAMP		2	1
6	578 19 81-04	HOSE		1	1
7	578 24 33-04	VALVE ASSY		1	1
8	503 21 53-41	SCREW ITXSCM		1	1, 7
9	581 72 15-05	HOSE KIT		1	
10	589 63 86-01	HOSE CLAMP		3	9
11	581 89 35-08	HOSE		1	9
12	504 63 46-02	SCREW ITXSCM		2	9
13	587 38 89-01	HOUSING		1	9
14	576 79 84-04	NIPPLE		2	9
15	587 38 90-01	HOUSING		1	9
16	583 83 30-02	HOSE CLAMP		1	9
17	503 26 60-03	COUPLER	1/2"	1	
17	503 26 60-04	COUPLER	GHT 3/4"	1	
18	581 35 70-01	LEVER ASSY		1	1, 7
19	503 22 65-04	SQUARE NUT		1	1, 7
20	506 35 27-01	PROTECTIVE SPRING		1	9

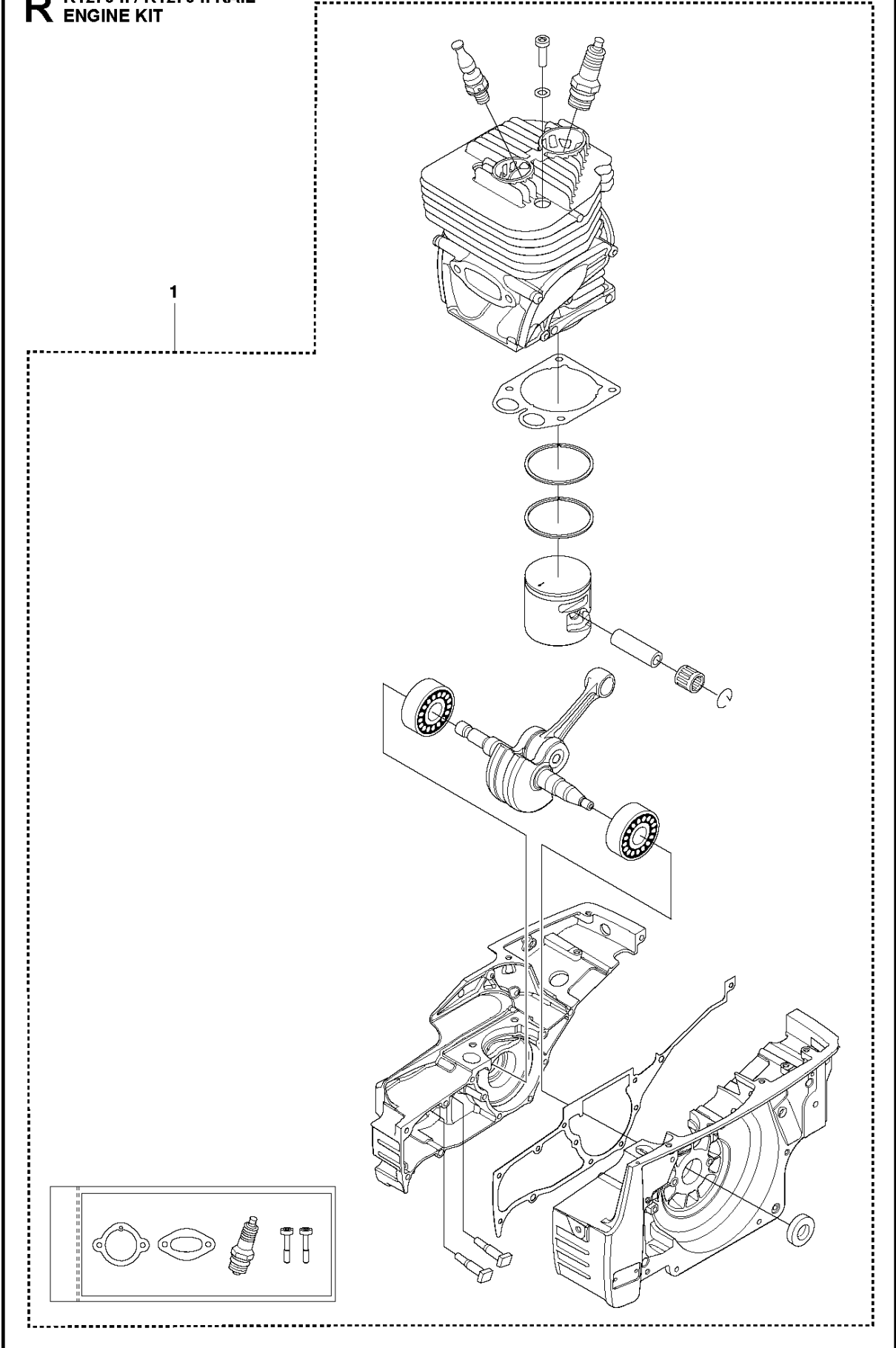


HOUSING

K1270 II / K1270 II RAIL, 2019-12

Ref	Part No	Description	Remark	QTY	KIT
1	576 66 57-06	BEARING HOUSING ASSY	14" Rail Stop Switch	1	
2	506 35 91-04	STOP SWITCH		1	1
3	506 35 91-03	STOP SWITCH		1	1
4	729 52 91-71	SCREW CRPANT		2	1
5	506 35 96-01	SPACING BLOCK		1	1
6	501 35 43-01	CLIP		1	1
7	506 35 90-01	WIRING		1	1
8	588 22 21-01	HEXAGON NUT FLANGE		1	1
9	724 12 87-59	SCREW CRPANM		1	1
10	506 35 80-01	BRACKET		1	1
11	576 66 57-05	BEARING HOUSING ASSY	14" Rail	1	1
11	576 66 57-07	BEARING HOUSING ASSY	16" Rail	1	1
11	576 66 57-08	BEARING HOUSING ASSY	16" Rail USA	1	1
12	506 22 75-01	SLEEVE		2	1, 11
13	503 20 02-16	SCREW IHSCFM		2	1, 11
14	506 28 84-01	SCREEN		1	1, 11
15	503 21 53-10	SCREW ITXSCM		2	1, 11
16	583 95 33-01	BALL BEARING		2	1, 11
17	506 07 09-02	FLANGE WASHER		1	1, 11
18	588 99 24-03	SHAFT		1	1, 11
19	590 50 38-01	SCREW		1	1, 11, 18
20	535 03 94-01	CONNECTION		1	

R K1270 II / K1270 II RAIL
ENGINE KIT

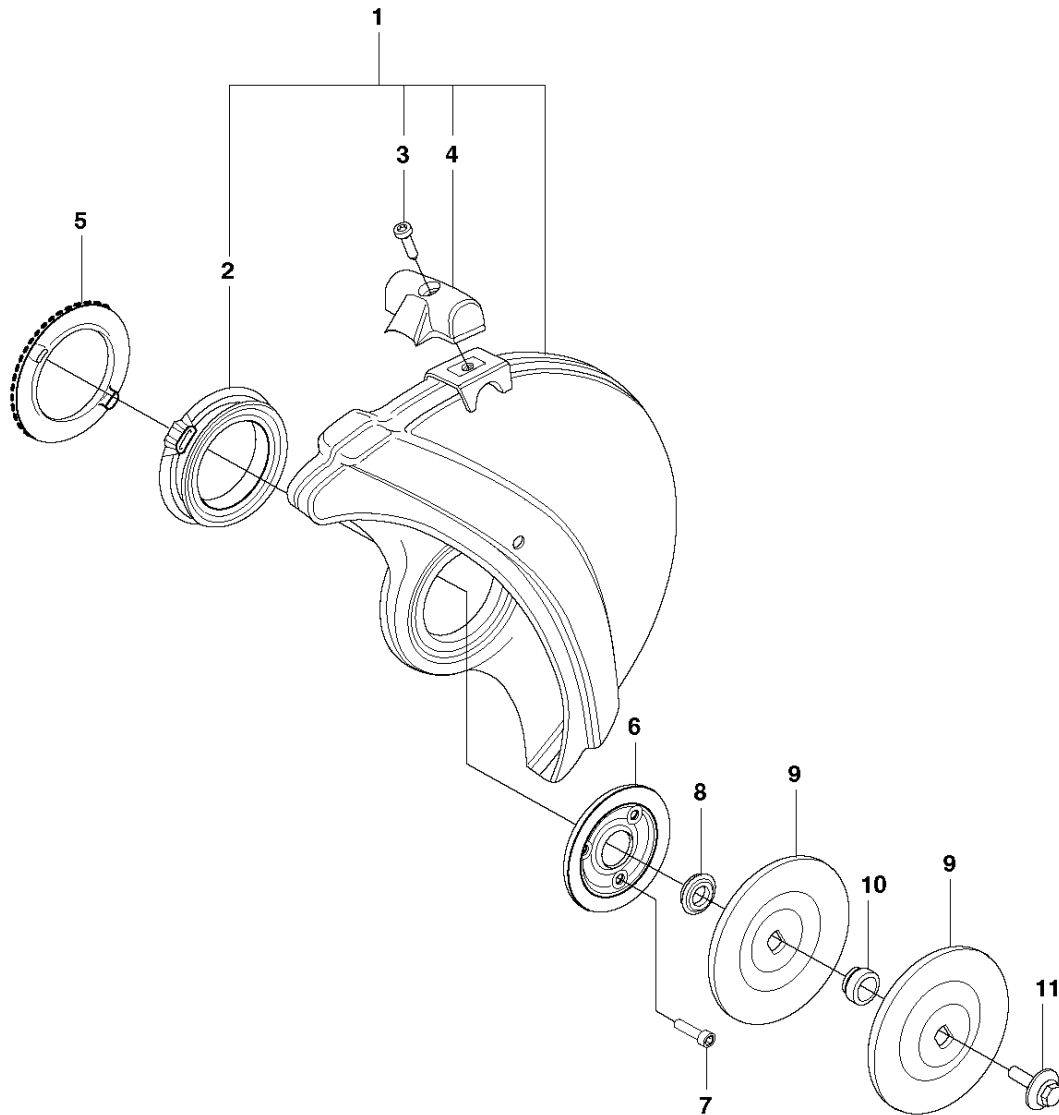


ENGINE KIT

K1270 II / K1270 II RAIL, 2019-12

Ref	Part No	Description	Remark	QTY KIT
1	582 41 50-05	CRANKCASE		1

S K1270 II RAIL
BLADE GUARD



12

5100 rpm

300

20

Husqvarna

Made in Sweden

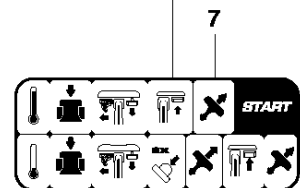
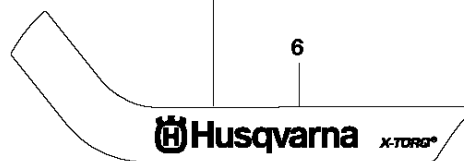
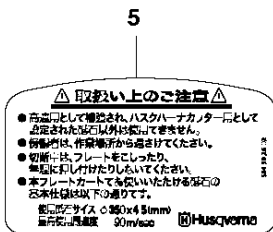
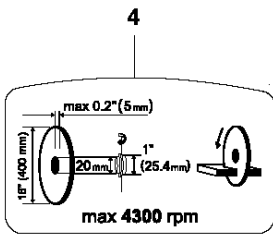
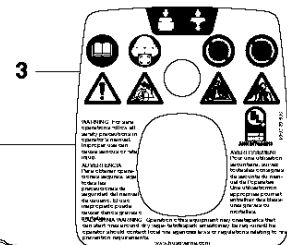
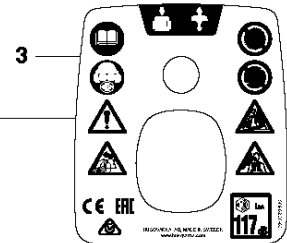
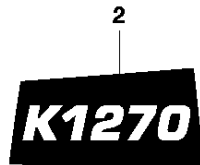
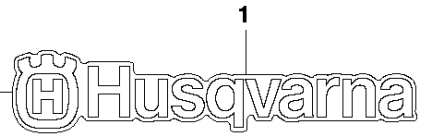
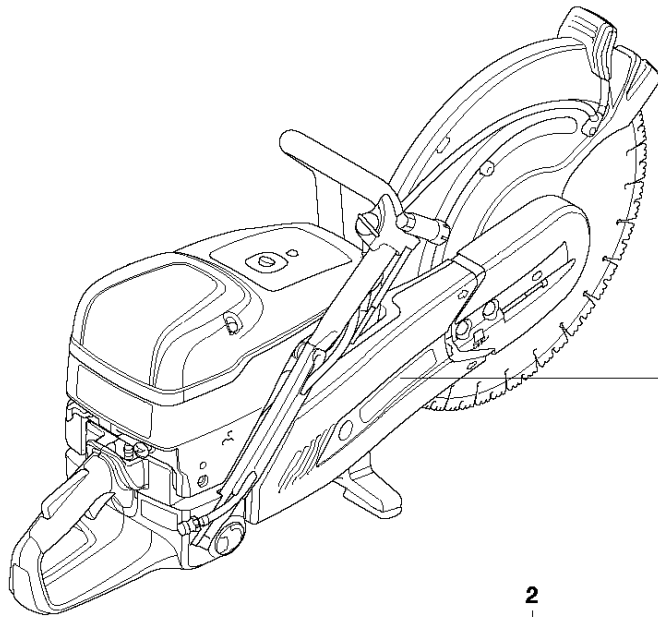
Detailed description: This block contains a technical drawing of the blade guard, labeled 12. It is a rectangular plate with rounded corners and four mounting holes. The drawing includes a circular inset showing the blade's diameter as 300 mm and its thickness as 20 mm. The maximum RPM is specified as 5100 rpm. The Husqvarna logo and 'Made in Sweden' are also present.

BLADE GUARD

K1270 II / K1270 II RAIL, 2019-12

Ref	Part No	Description	Remark	QTY	KIT
1	506 34 05-54	BLADE GUARD	14" Rail	1	
1	506 34 05-56	BLADE GUARD	16" Rail	1	1
2	506 26 63-02	LINING		1	1
3	503 21 53-20	SCREW ITXSCM		1	1
4	506 34 46-02	HANDLE		1	
5	506 26 64-01	SCREEN		1	
6	506 26 65-01	FLANGE		1	
7	505 57 41-16	SCREW ITXSCM		3	
8	506 32 48-01	SUPPORT FLANGE		1	
9	583 87 44-02	FLANGE	Diam 105mm	1	
9	506 07 09-02	FLANGE WASHER	Diam 119mm	2	
10	506 37 96-20	KIT	Diam 20mm	1	
10	506 37 96-22	KIT	Diam 22,2mm	1	
10	506 37 96-25	KIT	Diam 25,4mm	1	
10	506 02 88-30	BUSHING	Diam 30,5mm	1	
11	590 50 38-01	SCREW		1	
12	506 28 41-03	LABEL	14" Rail Diam 25,4mm	1	
12	506 28 41-05	LABEL	16" Rail Diam 25,4mm	1	
12	506 28 41-14	LABEL	14" Diam 25,4mm	1	
12	506 28 41-22	LABEL	16" Diam 20mm	1	
12	506 28 41-24	LABEL	16" Diam 25,4mm	1	

T K1270 II
DECALS

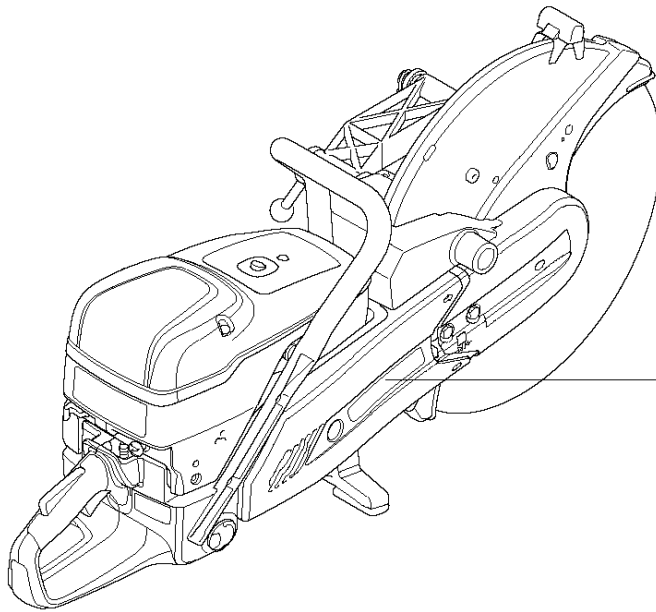


DECALS

K1270 II / K1270 II RAIL, 2019-12

Ref	Part No	Description	Remark	QTY KIT
1	544 87 36-01	LABEL		1
2	525 81 69-03	LABEL		1
3	589 02 38-04	DECAL		1
3	589 02 38-01	DECAL	USA, CANADA	1
4	581 11 77-06	DECAL	14" 20/25,4mm	1
4	581 11 77-07	DECAL	16" 20/25,4mm	1
5	584 99 26-02	DECAL	14" JAPAN	1
5	584 99 26-03	DECAL	16" JAPAN	1
6	582 14 19-01	DECAL		1
7	544 87 38-03	LABEL		1

U K1270 II RAIL
DECALS



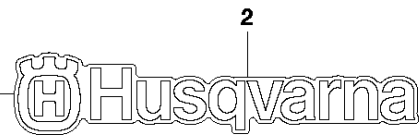
1

△ 取扱い上のご注意 △

チェーンソーは、取扱いを誤ると危険を及ぼすことが
あります。安全作業のために取扱説明書に従って下さい。

- ・ このチェーンソーは、全ての使用目的、メンテナンスのため、取扱説明書を、よく読み、理解し、守って下さい。
- ・ 取扱説明書として印刷された、チェーンソーとして認定された使用目的以外で使用できません。
- ・ 取扱説明書に記載の、安全対策を必ず守って下さい。
- ・ 刃、歯、チェーン、燃料タンク、安全装置、安全装置、安全装置など、必ず守って下さい。
- ・ 取扱説明書、取扱説明書から守って下さい。
- ・ 安全対策として、取扱説明書に記載の安全対策を守って下さい。
- ・ 取扱説明書、取扱説明書を守って下さい。
- ・ 取扱説明書の取扱説明書に従って下さい。

Husqvarna



3

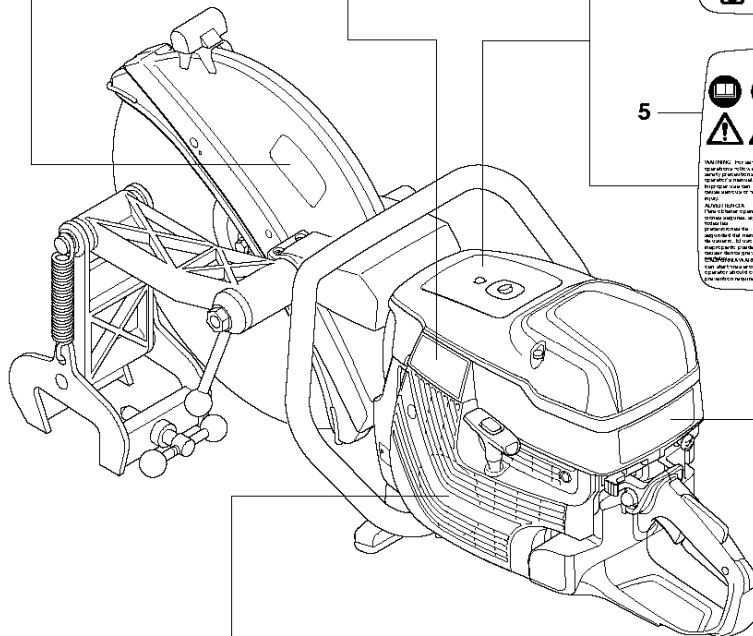
5100 rpm

Husqvarna
Made in Sweden



5

5



7

DECALS

K1270 II / K1270 II RAIL, 2019-12

Ref	Part No	Description	Remark	QTY KIT
1	576 12 10-02	DECAL	14" JAPAN	1
1	576 12 10-03	DECAL	16" JAPAN	1
2	544 87 36-01	LABEL		1
3	506 28 41-12	LABEL	14" Ø20	1
3	506 28 41-14	LABEL	14" Ø25,4	1
3	506 28 41-22	LABEL	16" Ø20	1
3	506 28 41-24	LABEL	16" Ø25,4	1
4	525 81 69-04	LABEL		1
5	589 02 38-04	DECAL		1
5	589 02 38-01	DECAL	USA, CANADA	1
6	582 14 19-01	DECAL		1
7	544 87 38-03	LABEL		1