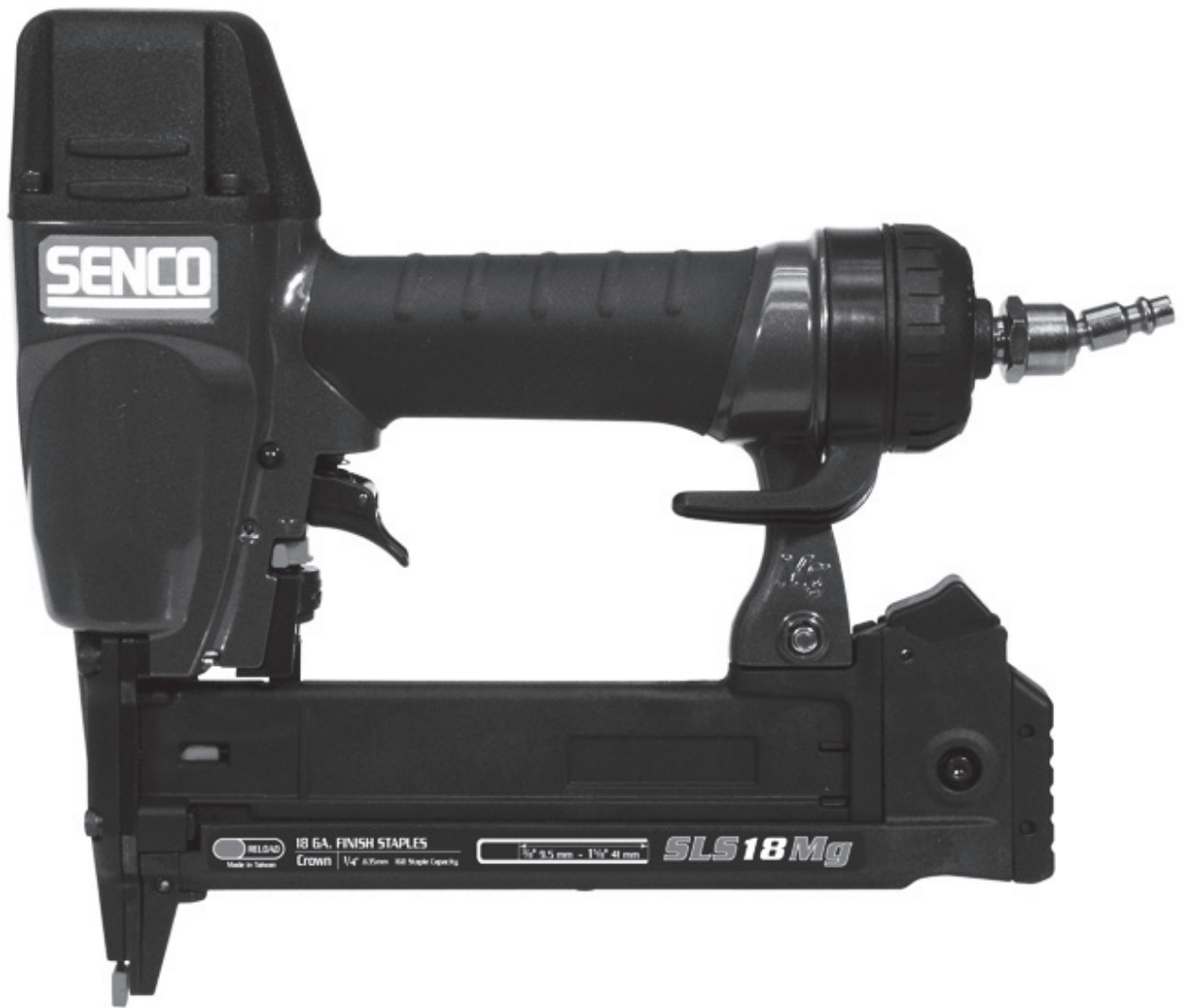


# SENCO®

## SLS18Mg Parts Chart

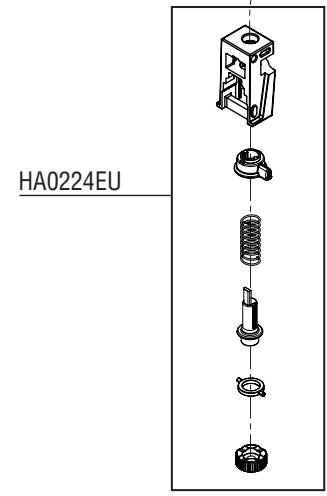
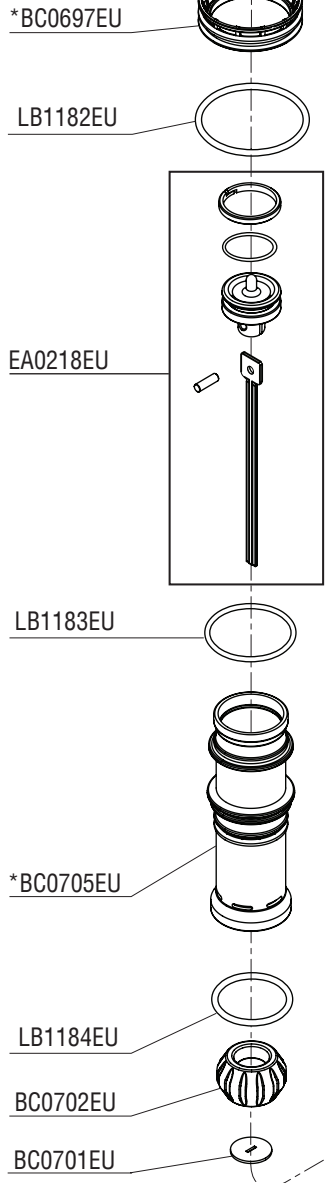
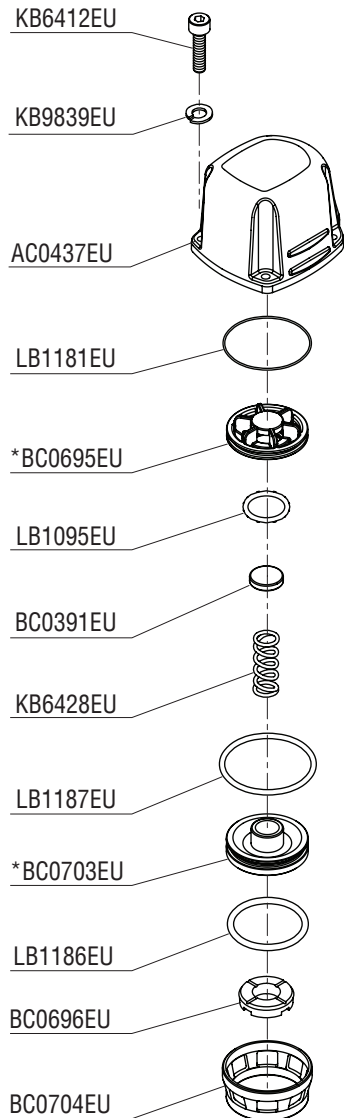


NFE01W Revised May 1, 2012 (Replaces 11/18/10) © 2012 by Senco Brands, Inc. Cincinnati, Ohio 45245—U.S.A.

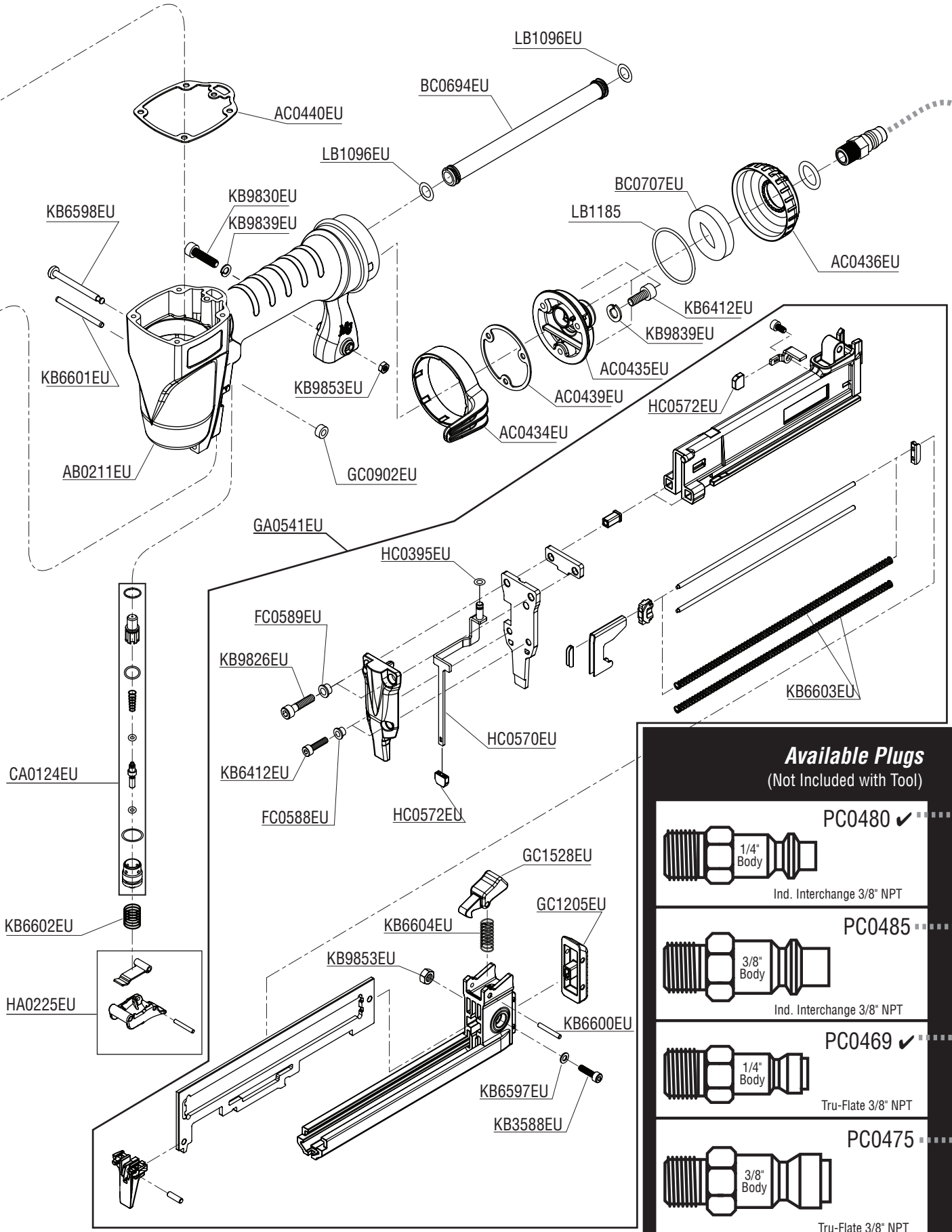
Verpa Senco BV  
Pascallaan 88  
8218 NJ LELYSTAD  
The Netherlands  
EMEA Website: [www.senco-emea.com](http://www.senco-emea.com)

Tool #  
1W2025N

- \* Does Not Include O-rings
- \* No incluye sellos de gomas
- \* Ohne Dichtringe
- \* Joints exclus







EU DESIGNED PARTS CAN BE DIFFERENT



NFE01W Revised May 1, 2012 (Replaces 11/18/10) © 2012 by SENC0 Brands, Inc. Cincinnati, Ohio 45245—U.S.A.

### Available Plugs (Not Included with Tool)

	<b>PC0480</b> ✓
	Ind. Interchange 3/8" NPT
	<b>PC0485</b>
	Ind. Interchange 3/8" NPT
	<b>PC0469</b> ✓
	Tru-Flate 3/8" NPT
	<b>PC0475</b>
	Tru-Flate 3/8" NPT

EU DESIGNED PARTS CAN BE DIFFERENT

✓ **Recommended Plugs**  
Plugs shown smaller than actual size

# SLS18Mg

REPLACEMENT PARTS LIST • LISTA DE PARTES DE REPUESTO • ERSATSTEILE-LISTE • LISTE DE PIÈCES DE RECHANGE

PART NO.	DESCRIPTION	DESCRIPCIÓN	BESCHREIBUNG	DÉSIGNATION
AB0211EU	MAINBODY	CARCASA	GEHÄUSE	CORPS
AC0434EU	BELT HOOK	GANCHO DE CINTURÓN	GURTHAKEN	CROCHET DE CEINTURE
AC0435EU	CAP	TAPA	KAPPE	BOUCHON
AC0436EU	COVER	PLACA	SCHUTZPLATTE	BOUCLIER ANTIABRASIF
AC0437EU	CAP	TAPA	KAPPE	BOUCHON
AC0439EU	SEAL (GASKET)	SELLO	DICHTUNG	JOINT
AC0440EU	SEAL (GASKET)	SELLO	DICHTUNG	JOINT
BC0391EU	SEAL	SELLO	DICHTUNG	JOINT
BC0694EU	TUBE	CILINDRO	ZYLINDER	CYLINDRE
BC0695EU	EXHAUST VALVE	VÁLVULA	VENTIL	VALVE
BC0696EU	STOP	TOPE	PUFFER	ARRÊT
BC0697EU	SPACER	SEPARADOR	SISTANZSTÜCK	ENTRETOISE
BC0701EU	WASHER	ARANDELA	SCHEIBE	RONDELLE
BC0702EU	STOP, PISTON	TOPE	PUFFER	ARRÊT
BC0703EU	VALVE	VÁLVULA	VENTIL	VALVE
BC0704EU	COLLAR	CILINDRO	ZYLINDER	CYLINDRE
BC0705EU	CYLINDER	CILINDRO	ZYLINDER	CYLINDRE
BC0707EU	MUFFLER	SILENCIADOR	DÄMPFER	SILENCIEUX
CA0124EU	TRIGGER VALVE ASY	ASAMBLE DE GATILLO VÁLVULA	AUSLÖSER/ VENTIL	GÂCHETTE/ VALVE
EA0218EU	PISTON/DRIVER ASSY	ASAMBLE DE PISYON Y	KOLBEN/TREIBER	PISTON/COUTEAU
FC0588EU	SPACER	SEPARADOR	SISTANZSTÜCK	ENTRETOISE
FC0589EU	SPACER	SEPARADOR	SISTANZSTÜCK	ENTRETOISE
GA0541EU	MAGAZINE ASY	ASAMBLE DE CARRIL	SCHIENE-ZUSAMMENBAU	RAIL D'ASSEMBLÉE
GC0902EU	RETAINER	JUNTA TÓRICA	SICHERUNGSRING	RETENUE
GC1205EU	CAP	TAPA	KAPPE	BOUCHON
GC1528EU	LATCH	UÑETA	VERSCHLUSS	DOIGT DE RETENUE
HA0224EU	SAFETY ELEMENT (UPPER)	SEGURO DE SUPERIOR	OBERSICHERHEITSVORRICHTUNG	SÉCURITÉ EN DESSUS
HA0225EU	TRIGGER ASSY	ASAMBLE DE GATILLO	AUSLÖSER-ZUSAMMENBAU	GACHETTED'ASSEMBLÉE
HC0395EU	RING	ANILLO	REIFEN	ANNEAU
HC0570EU	SAFETY ELEMENT (LOWER)	SEGURO DE INFERIOR	UNTERSICHERHEITSVORRICHTUNG	SÉCURITÉ EN DESSOUS
HC0572EU	CUSHION (PAD)	AMORTIGUADOR	SCHUTZ	COUSSIN
KB3588EU	SCREW	TORNILLO	SCHRAUBE	VIS
KB6412EU	SCREW	TORNILLO	SCHRAUBE	VIS
KB6428EU	SPRING	RESORTE	FEDER	RESSORT
KB6597EU	WASHER	ARANDELA	SCHEIBE	RONDELLE
KB6598EU	PIN	PASADOR	STIFT	GOUPILLE
KB6600EU	PIN	PASADOR	STIFT	GOUPILLE
KB6601EU	PIN	PASADOR	STIFT	GOUPILLE
KB6602EU	SPRING	RESORTE	FEDER	RESSORT
KB6603EU	SPRING	RESORTE	FEDER	RESSORT
KB6604EU	SPRING	RESORTE	FEDER	RESSORT
KB9826EU	SCREW	TORNILLO	SCHRAUBE	VIS
KB9830EU	SCREW	TORNILLO	SCHRAUBE	VIS
KB9839EU	WASHER	ARANDELA	SCHEIBE	RONDELLE
KB9853EU	NUT	TUERCA	MUTTER	ÉCROU
LB1095EU	SEAL	SELLO	DICHTUNG	JOINT
LB1096EU	SEAL	SELLO	DICHTUNG	JOINT
LB1181EU	SEAL	SELLO	DICHTUNG	JOINT
LB1182EU	SEAL	SELLO	DICHTUNG	JOINT
LB1183EU	SEAL	SELLO	DICHTUNG	JOINT
LB1184EU	SEAL	SELLO	DICHTUNG	JOINT
LB1185EU	SEAL	SELLO	DICHTUNG	JOINT
LB1186EU	SEAL	SELLO	DICHTUNG	JOINT
LB1187EU	SEAL	SELLO	DICHTUNG	JOINT