

PSE-5

Portable Electrode Dry-storage Container with Manual Thermostat



The PSE are light and handy dry-storage containers for electrodes. It is easy to carry and has a manual thermostat with a high range in storage temperature. The heating element runs from the top to the bottom and the top is fully insulated.

- 5 kg (11lbs) storage capacity
- 130 °C (260 °F) pre-set temperature

Visit esab.com for more information.

| Specifications | |
|-----------------------------|-------------------|
| Input Voltage | 220 - 240 V |
| Output Power | 200 W |
| Output Current | 1 A |
| Dimensions Height | 500 mm (19.7 in.) |
| Dimensions Diameter (Outer) | 140 mm (5.5 in.) |
| Weight | 5 kg (11 lbs) |

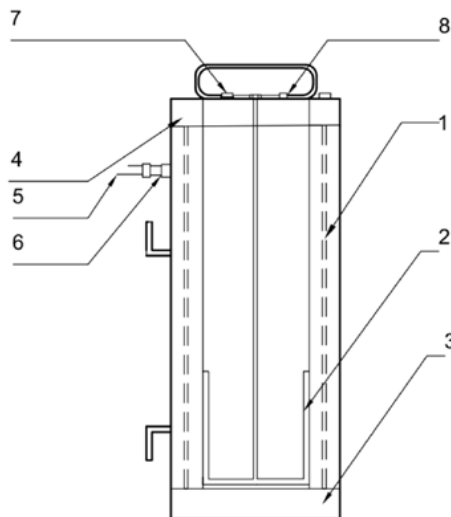
PSE-5

Ordering Information

| | |
|--|------------|
| PSE-5 Electrode Dry-storage Container, 1ph 230V AC 50/60Hz | 0700100145 |
| PSE-5 Electrode Dry-storage Container, 1ph 110V AC 50/60Hz | 0700100146 |
| PSE-5 Electrode Dry-storage Container, 1ph 24V AC 50/60Hz | 0700100147 |

Wear & Spare Parts

| | | |
|---|---------------------------------|------------|
| 1 | Heating Element 230V - PSE | 0700100112 |
| 1 | Heating Element 110V - PSE | 0700100113 |
| 1 | Heating Element 24V | 0700100114 |
| 2 | Puller Tray 5kg | 0700100151 |
| 3 | Bottom Cover PSE-5 | 0700100152 |
| 4 | Top Cover PSE-5 | 0700100153 |
| 5 | Power Cord 230V with plug | 0700100118 |
| 5 | Power Cord 110V with plug - PSE | 0700100119 |
| 5 | Power Cord 24V with plug | 0700100120 |
| 6 | Cable Gland - PSE | 0700100121 |
| 7 | Fuse Holder | 0700100122 |
| 7 | Fuse (glass) 5A | 0700100141 |
| 8 | Pilot Lamp 230V | 0700100124 |
| 8 | Pilot Lamp 110V | 0700100125 |
| 8 | Pilot Lamp 24V | 0700100126 |



ESAB / esab.com

