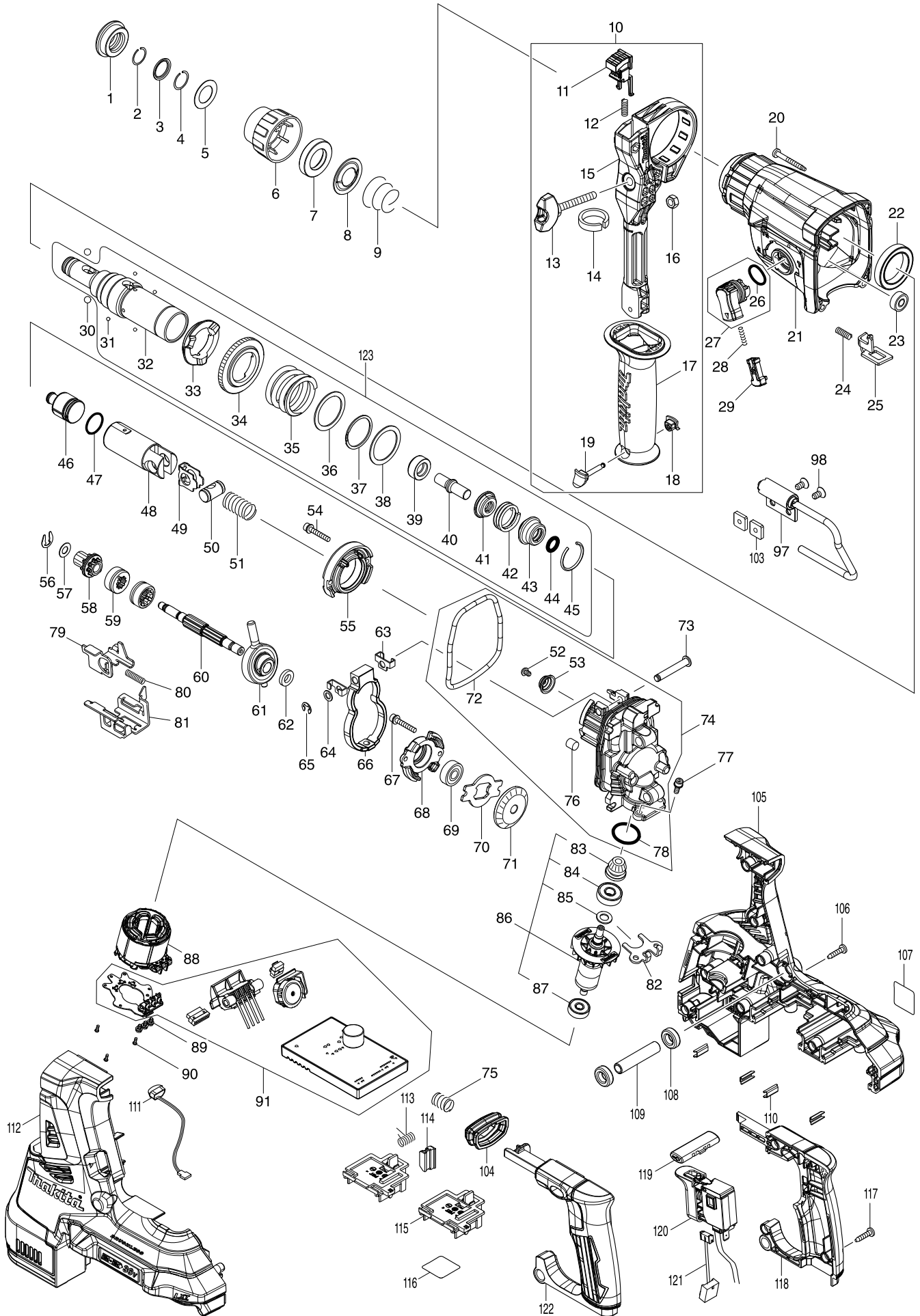


# Model No. DHR280 28MM CRDLS COMBINATION HAMMER



# Model No. DHR280 28MM CRDLS COMBINATION HAMMER

| Item | Parts No. | Description                | I/C | Qty | N/O | Opt. 1 | Opt. 2 | Note |
|------|-----------|----------------------------|-----|-----|-----|--------|--------|------|
| 001  | 286288-8  | CAP 35                     |     | 1   |     |        |        |      |
| 002  | 233989-9  | RING SPRING 14             |     | 1   |     |        |        |      |
| 003  | 346834-0  | WASHER 16                  |     | 1   |     |        |        |      |
| 004  | 233992-0  | RING SPRING 15             |     | 1   |     |        |        |      |
| 005  | 267114-0  | FLAT WASHER 17             |     | 1   |     |        |        |      |
| 006  | 455393-4  | CHUCK COVER                |     | 1   |     |        |        |      |
| 007  | 325813-1  | RING 21                    |     | 1   |     |        |        |      |
| 008  | 346177-0  | GUIDE WASHER               |     | 1   |     |        |        |      |
| 009  | 233916-6  | CONICAL COMP. SPRING 21-29 |     | 1   |     |        |        |      |
| 010  | 126882-3  | GRIP ASSEMBLY              |     | 1   |     |        |        |      |
| D10  |           | INC. 11-19                 |     |     |     |        |        |      |
| 011  | 144959-2  | LOCK BUTTON COMPLETE       |     | 1   |     |        |        |      |
| 012  | 233360-7  | COMPRESSION SPRING 4       |     | 1   |     |        |        |      |
| 013  | 265625-9  | THUMB SCREW M6X50          |     | 1   |     |        |        |      |
| 014  | 422258-5  | SPONGE SHEET               |     | 1   |     |        |        |      |
| 015  | 458355-1  | SIDE HANDLE BASE           |     | 1   |     |        |        |      |
| 016  | 931302-2  | HEX. NUT M6                |     | 1   |     |        |        |      |
| 017  | 458357-7  | GRIP 36                    |     | 1   |     |        |        |      |
| 018  | 422255-1  | CAP                        |     | 1   |     |        |        |      |
| 019  | 161838-9  | FIX PIN                    |     | 1   |     |        |        |      |
| 020  | 266351-3  | TAPPING SCREW 4X35         |     | 4   |     |        |        |      |
| 021  | 144965-7  | GEAR HOUSING COMPLETE      |     | 1   |     |        |        |      |
| C10  | 213345-9  | OIL SEAL 25                |     | 1   |     |        |        |      |
| C20  | 331890-3  | CUP SLEEVE                 |     | 1   |     |        |        |      |
| 022  | 211294-4  | BALL BEARING 6806LLU       |     | 1   |     |        |        |      |
| 023  | 211012-0  | BALL BEARING 606ZZ         |     | 1   |     |        |        |      |
| 024  | 233360-7  | COMPRESSION SPRING 4       |     | 1   |     |        |        |      |
| 025  | 347228-2  | LOCK PLATE                 |     | 1   |     |        |        |      |
| 026  | 213278-8  | O RING 17                  |     | 1   |     |        |        |      |
| 027  | 135961-6  | CHANGE LEVER ASSY          |     | 1   |     |        |        |      |
| D10  |           | INC. 26                    |     |     |     |        |        |      |
| 028  | 234264-6  | COMPRESSION SPRING 3       |     | 1   |     |        |        |      |
| 029  | 457709-9  | LOCK BUTTON                |     | 1   |     |        |        |      |
| 030  | 216022-2  | STEEL BALL 7.0             |     | 2   |     |        |        |      |
| 031  | 216019-1  | STEEL BALL 3               |     | 4   |     |        |        |      |
| 032  | 142972-4  | TOOL HOLDER COMPLETE       |     | 1   |     |        |        |      |
| C10  | 213344-1  | OIL SEAL 9                 |     | 1   |     |        |        |      |
| 033  | 332139-4  | DRIVING FLANGE             |     | 1   |     |        |        |      |
| 034  | 227360-7  | SPUR GEAR 51               |     | 1   |     |        |        |      |
| 035  | 234148-8  | COMPRESSION SPRING 31      |     | 1   |     |        |        |      |
| 036  | 267153-0  | FLAT WASHER 30             |     | 1   |     |        |        |      |
| 037  | 257932-4  | SPIRO LOCK WASHER 30       |     | 1   |     |        |        |      |
| 038  | 267153-0  | FLAT WASHER 30             |     | 1   |     |        |        |      |
| 039  | 325783-4  | SLEEVE 9B                  |     | 1   |     |        |        |      |
| 040  | 325789-2  | IMPACT BOLT A              |     | 1   |     |        |        |      |
| 041  | 325792-3  | WASHER 10                  |     | 1   |     |        |        |      |
| 042  | 234149-6  | COMPRESSION SPRING 20      |     | 1   |     |        |        |      |
| 043  | 325793-1  | O-RING CASE B              |     | 1   |     |        |        |      |

# Model No. DHR280 28MM CRDLS COMBINATION HAMMER

| Item | Parts No. | Description                   | I/C | Qty | N/O | Opt. 1 | Opt. 2 | Note |
|------|-----------|-------------------------------|-----|-----|-----|--------|--------|------|
| 044  | 213073-6  | O RING 9                      |     | 1   |     |        |        |      |
| 045  | 233979-2  | RING SPRING 28                |     | 1   |     |        |        |      |
| 046  | 325784-2  | STRIKER                       |     | 1   |     |        |        |      |
| 047  | 213258-4  | O RING 17.5                   |     | 1   |     |        |        |      |
| 048  | 327079-9  | PISTON CYLINDER               |     | 1   |     |        |        |      |
| 049  | 346036-8  | GUIDE PLATE                   |     | 1   |     |        |        |      |
| 050  | 324215-8  | PISTON JOINT                  |     | 1   |     |        |        |      |
| 051  | 232449-8  | COMPRESSION SPRING 14         |     | 1   |     |        |        |      |
| 052  | 265627-5  | H.S.BUTTON HEAD BOLT M4X6     |     | 1   |     |        |        |      |
| 053  | 347344-0  | SPRING GUIDE                  |     | 1   |     |        |        |      |
| 054  | 922148-7  | HEX. SOCKET HEAD BOLT M4X25   |     | 2   |     |        |        |      |
| 055  | 144960-7  | INNER SUPPORT COMPLETE        |     | 1   |     |        |        |      |
| 056  | 257336-0  | STOP RING EXT U-6             |     | 1   |     |        |        |      |
| 057  | 253186-1  | FLAT WASHER 7                 |     | 1   |     |        |        |      |
| 058  | 226170-9  | SPUR GEAR 10                  |     | 1   |     |        |        |      |
| 059  | 332125-5  | CLUTCH CAM                    |     | 2   |     |        |        |      |
| 060  | 327078-1  | CAM SHAFT                     |     | 1   |     |        |        |      |
| 061  | 219030-2  | SWASH BEARING 10              |     | 1   |     |        |        |      |
| 062  | 257321-3  | RING 8                        |     | 1   |     |        |        |      |
| 063  | 346538-4  | WEIGHT HOLDER GUIDE           |     | 2   |     |        |        |      |
| 064  | 253077-6  | FLAT WASHER 6                 |     | 1   |     |        |        |      |
| 065  | 961018-5  | STOP RING E-5                 |     | 1   |     |        |        |      |
| 066  | 310869-7  | COUNTER WEIGHT                |     | 1   |     |        |        |      |
| 067  | 922148-7  | HEX. SOCKET HEAD BOLT M4X25   |     | 2   |     |        |        |      |
| 068  | 319674-9  | BEARING BOX                   |     | 1   |     |        |        |      |
| 069  | 211032-4  | BALL BEARING 608ZZ            |     | 1   |     |        |        |      |
| 070  | 347343-2  | BEARING RETAINER B            |     | 1   |     |        |        |      |
| 071  | 221599-4  | SPIRAL BEVEL GEAR 32          |     | 1   |     |        |        |      |
| 072  | 213850-6  | O-RING 74                     |     | 1   |     |        |        |      |
| 073  | 256536-9  | FLAT FILLISTER HD PIN 6       |     | 1   |     |        |        |      |
| 074  | 135962-4  | INNER HOUSING ASSY            |     | 1   |     |        |        |      |
| D10  |           | INC. 52,53,72,76,78           |     |     |     |        |        |      |
| 075  | 232436-7  | COMPRESSION SPRING 10         |     | 1   |     |        |        |      |
| 076  | 443153-6  | FELT                          |     | 1   |     |        |        |      |
| 077  | 922118-6  | HEX. SOCKET HEAD BOLT M4X12   |     | 2   |     |        |        |      |
| 078  | 213008-7  | O RING 22.4                   |     | 1   |     |        |        |      |
| 079  | 347230-5  | CHANGE PLATE B                |     | 1   |     |        |        |      |
| 080  | 234343-0  | COMPRESSION SPRING 5          |     | 1   |     |        |        |      |
| 081  | 347229-0  | CHANGE PLATE A                |     | 1   |     |        |        |      |
| 082  | 346536-8  | BEARING RETAINER A            |     | 1   |     |        |        |      |
| 083  | 144964-9  | SPIRAL BEVEL GEAR 11 COMPLETE |     | 1   |     |        |        |      |
| 084  | 210024-0  | BALL BEARING 608LLU           |     | 1   |     |        |        |      |
| 085  | 253835-0  | FLAT WASHER 8                 |     | 1   |     |        |        |      |
| 086  | 519513-5  | ROTOR ASSY                    |     | 1   |     |        |        |      |
| D10  |           | INC. 83-85,87                 |     |     |     |        |        |      |
| 087  | 210022-4  | BALL BEARING 626DDW           |     | 1   |     |        |        |      |
| 088  | 629340-3  | STATOR                        |     | 1   |     |        |        |      |
| 089  | 652069-6  | FLAT HEAD SCREW M3X6          |     | 3   |     |        |        |      |

# Model No. DHR280 28MM CRDLS COMBINATION HAMMER

| Item | Parts No. | Description                    | I/C | Qty | N/O | Opt. 1 | Opt. 2 | Note |
|------|-----------|--------------------------------|-----|-----|-----|--------|--------|------|
| 090  | 266490-9  | TAPPING SCREW PT 2X6           |     | 3   |     |        |        |      |
| 091  | 620815-5  | CONTROLLER                     |     | 1   |     |        |        |      |
| 097  | 135963-2  | HOOK ASSY                      |     | 1   |     |        |        |      |
| 098  | 912207-5  | COUNTERSUNK HEAD SCREW M5X10   |     | 2   |     |        |        |      |
| 103  | 264002-2  | SQUARE NUT M5                  |     | 2   |     |        |        |      |
| 104  | 422257-7  | BELLOWS                        |     | 1   |     |        |        |      |
| 105  | 183J31-5  | HOUSING SET                    |     | 1   |     |        |        |      |
| C10  | 263005-3  | RUBBER PIN 6                   |     | 8   |     |        |        |      |
| D10  |           | INC. 112                       |     |     |     |        |        |      |
| 106  | 266326-2  | TAPPING SCREW 4X18             |     | 9   |     |        |        |      |
| 107  | 854H95-1  | DHR280 NAME PLATE              |     | 1   |     |        |        |      |
| 108  | 422256-9  | RUBBER RING 10                 |     | 2   |     |        |        |      |
| 109  | 257438-2  | SLEEVE 10                      |     | 1   |     |        |        |      |
| 110  | 346783-1  | PLATE                          |     | 4   |     |        |        |      |
| 111  | 620549-0  | LED CIRCUIT                    |     | 1   |     |        |        |      |
| 112  | 183J31-5  | HOUSING SET                    |     | 1   |     |        |        |      |
| C10  | 263005-3  | RUBBER PIN 6                   |     | 8   |     |        |        |      |
| D10  |           | INC. 105                       |     |     |     |        |        |      |
| 113  | 233598-4  | TORSION SPRING 6               |     | 1   |     |        |        |      |
| 114  | 313226-8  | OPENER                         |     | 1   |     |        |        |      |
| 115  | 644809-6  | TERMINAL                       |     | 2   |     |        |        |      |
| 116  | 854J01-8  | DHR280 SERIAL NO. LABEL        |     | 1   |     |        |        |      |
| 117  | 266326-2  | TAPPING SCREW 4X18             |     | 4   |     |        |        |      |
| 118  | 183J29-2  | HANDLE SET                     |     | 1   |     |        |        |      |
| D10  |           | INC. 122                       |     |     |     |        |        |      |
| 119  | 453124-5  | F/R CHANGE LEVER               |     | 1   |     |        |        |      |
| 120  | 651366-7  | SWITCH C3JW-6B-24              |     | 1   |     |        |        |      |
| 121  | 632L95-3  | LEAD UNIT                      |     | 1   |     |        |        |      |
| 122  | 183J29-2  | HANDLE SET                     |     | 1   |     |        |        |      |
| D10  |           | INC.118                        |     |     |     |        |        |      |
| 123  | 135966-6  | TOOL HOLDER ASSY               |     | 1   |     |        |        |      |
| D10  |           | INC. 31-45                     |     |     |     |        |        |      |
| A02  | 198993-4  | GREASE VESSEL SET              |     | 1   |     |        |        |      |
| A04  | 331886-4  | DEPTH GAUGE                    |     | 1   |     |        |        |      |
| A05  | 443122-7  | CLOTH                          |     | 1   |     |        |        |      |
| A06B | 195173-3  | DUSTCUP SET                    |     | 1   |     |        |        |      |
| A07A | ***DX03   | DUST EXTRACTION SYSTEM         |     | 1   |     |        |        |      |
| D10  |           | COMPO-PARTS                    |     |     |     |        |        |      |
| D20  |           | INC. A08                       |     |     |     |        |        |      |
| A08A | 424474-5  | SEALING CAP                    |     | 5   |     |        |        |      |
| A09B | ***DC18RD | DC18RD TWO PORT FAST CHARGER   |     | 1   |     |        |        |      |
| D10  |           | COMPO-PARTS                    |     |     |     |        |        |      |
| A10B | 197422-4  | BATTERY BL1860B SET            |     | 2   |     |        |        |      |
| A11A | 839560-3  | INNER TRAY                     |     | 1   |     |        |        |      |
| A11B | 839559-8  | INNER TRAY                     |     | 1   |     |        |        |      |
| A12  | 821552-6  | CONNECTOR PLASTIC CASE (TYPE4) |     | 1   |     |        |        |      |
| C10  | 453974-8  | LATCH                          |     | 4   |     |        |        |      |
| A13A | 817L11-8  | DHR280ZVJ INDICATION LABEL     |     | 1   |     |        |        |      |

