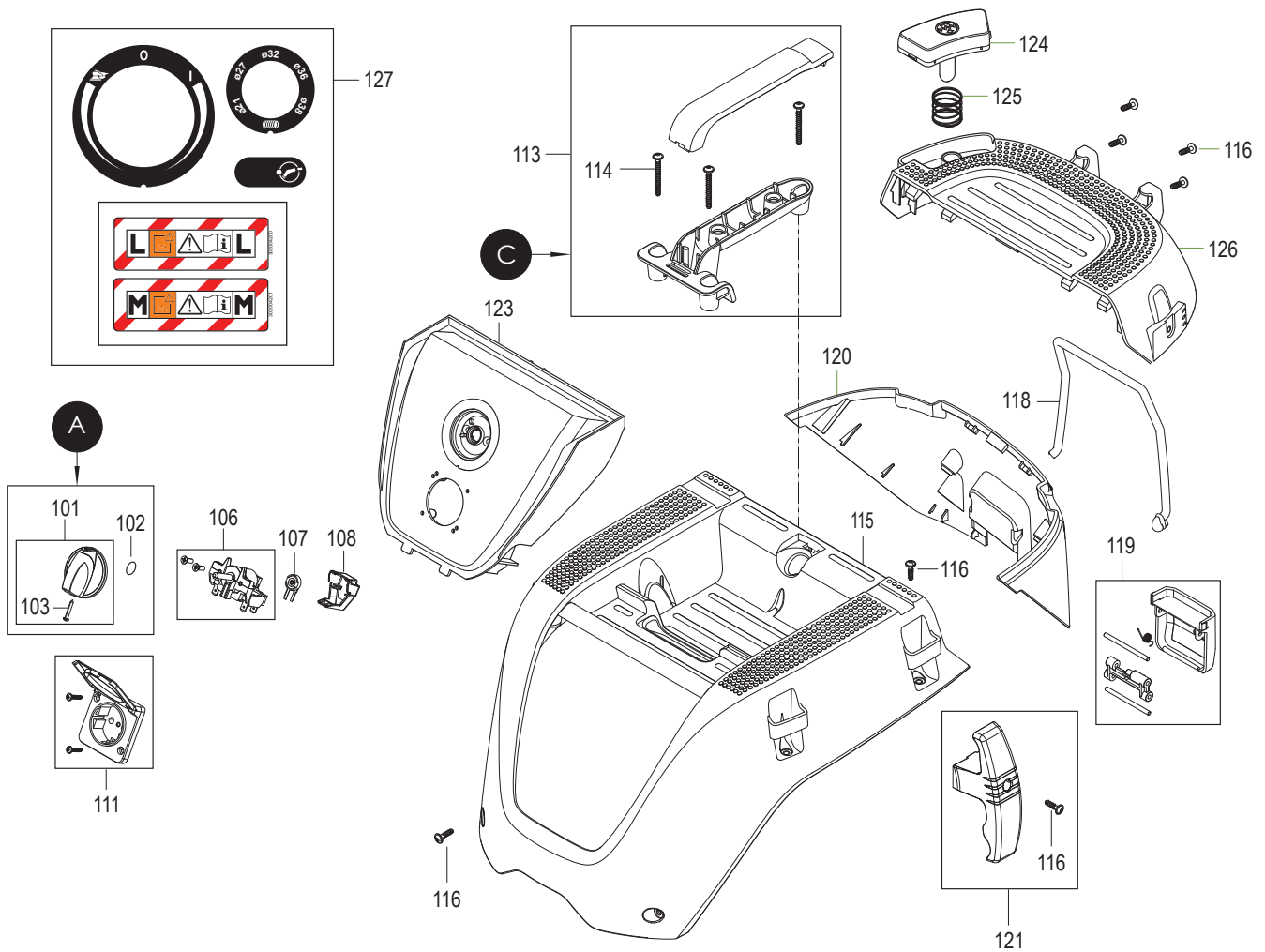


Exploded view of Dust Extractor 1230 L • PC • 230V & 110V

Updated 01.04.2019



Parts list – kits

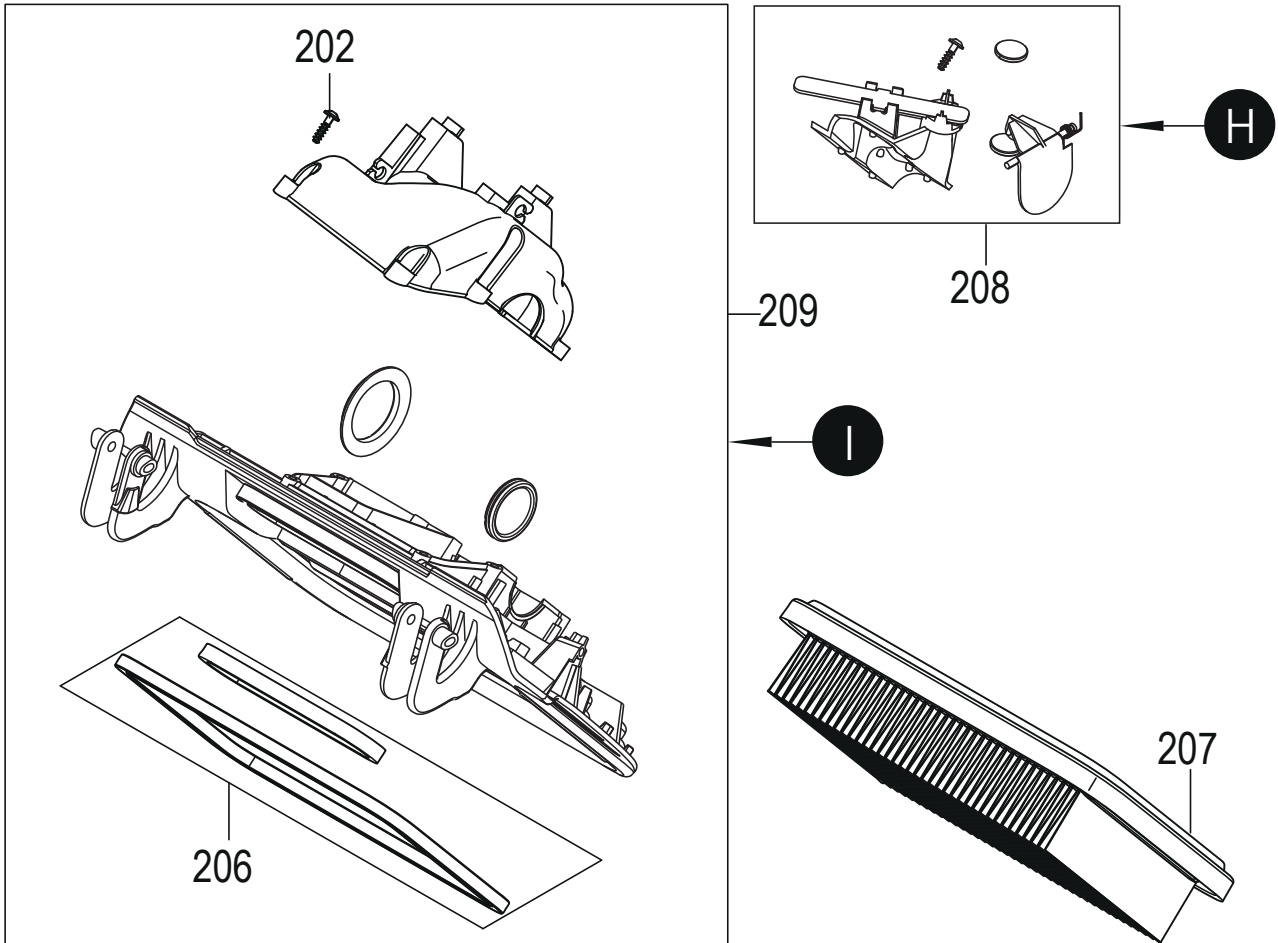
Mirka code	Item	Description	Kit	Qty
8999603611		Rotary knob kit	A	
	101	Rotary knob		1
	102	O-ring 10 x 2,5 mm		1
	103	Screw 2,9 x 19 mm		1
8999211311		Handle kit	C	
	113	Handle		1
	114	Screw 5 x 45 mm		3

Parts list – spare parts

Mirka code	Item	Description	Kit	Qty
	101	Rotary knob	A	1
	102	O-ring 10 x 2,5 mm	A	1
	103	Screw 2,9 x 19 mm	A	1
8999110611	106	Rotary switch 16 A for PC		1
8999210711	107	Potentiometer with wire		2
8999210811	108	Cap for pot-meter		1
8999601911	111	Socket 16 A / 250 V, EU		1
8999711011GB	111	Socket 13 A / 250 V, GB		1
8999211111	111	Socket 10 A / 250 V, AU/NZ		1
8999601711	111	Socket 15 A / 125 V, US/CSA		1
	113	Handle	C	1
	114	Screw 5 x 45 mm	C	3
8999211511	115	Top cover		1
8999701411	116	Screws 5 x 18 mm		17
8999211811	118	Cord strap		1
8999211911	119	Hatch door clamp		1
8999212011	120	Hatchback lower cover		1
8999212111	121	Hose hook		1
8999112311	123	Control panel L PC		1
8999112411	124	PC button		1
8999112511	125	Spring for button		1
8999112611	126	Hatch door upper cover for PC		1
8999112711	127	Label kit PC control panel & dust class		1

Exploded view of Dust Extractor **1230 L • PC • 230 V & 110 V**

Updated 29.01.2019



Parts list – kits

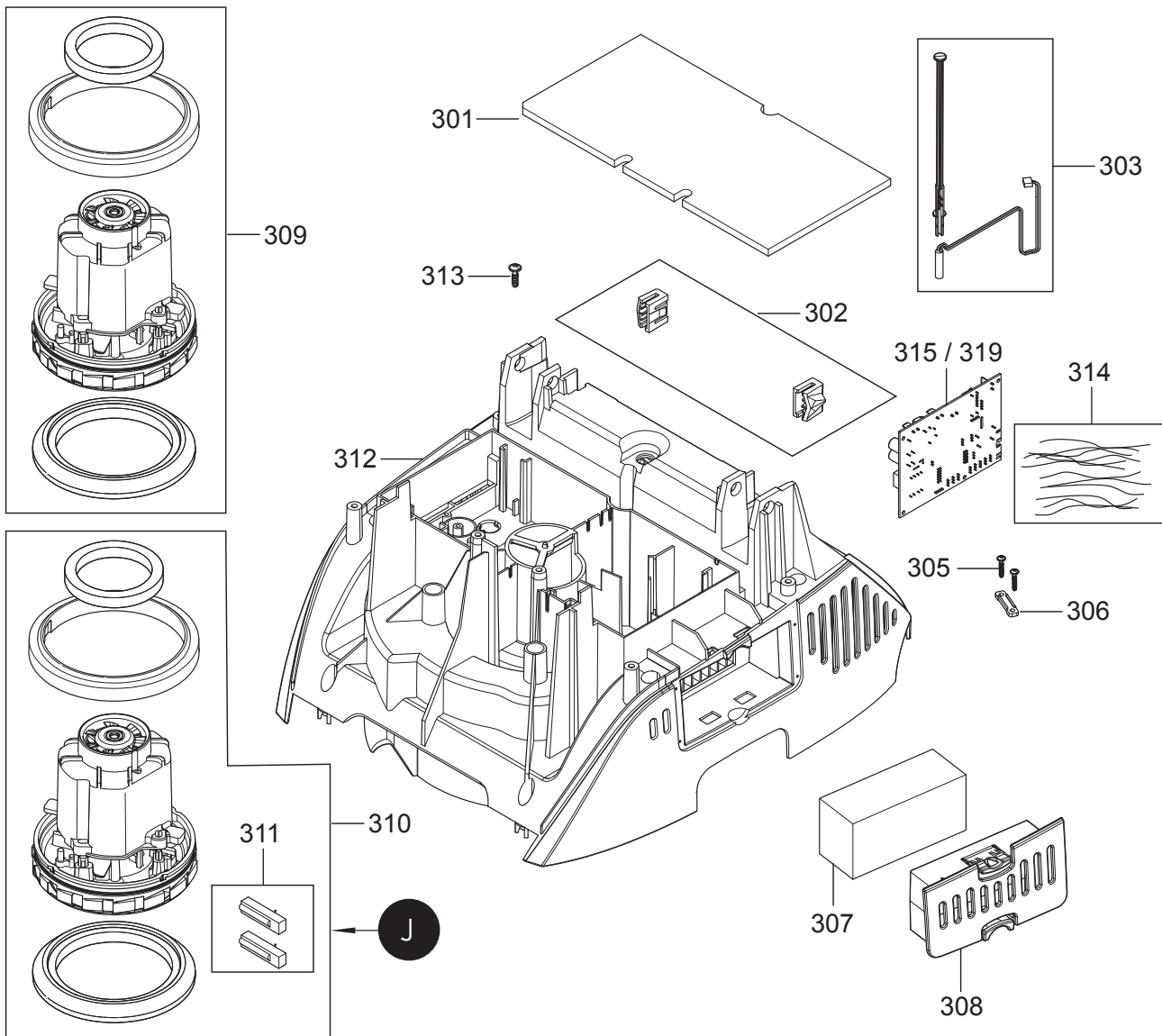
Mirka code	Item	Description	Kit	Qty
8999120811	208	Flap-lever PC	H	1
8999120911		Hatch door frame kit PC	I	
	202	Screws 5 x 18 mm		7
	206	Hatch door filter gasket		1
	209	Hatch door frame PC		1

Parts list – spare parts

Mirka code	Item	Description	Kit	Qty
	202	Screws 5 x 18 mm	I	7
	206	Hatch door filter gasket	I	1
8999100411	207	Filter		1
	208	Flap-lever PC	H	1
	209	Hatch door frame for DE PC	I	1

Exploded view of Dust Extractor 1230 L • PC • 230 V & 110 V

Updated 04.01.2019



Parts list – kits

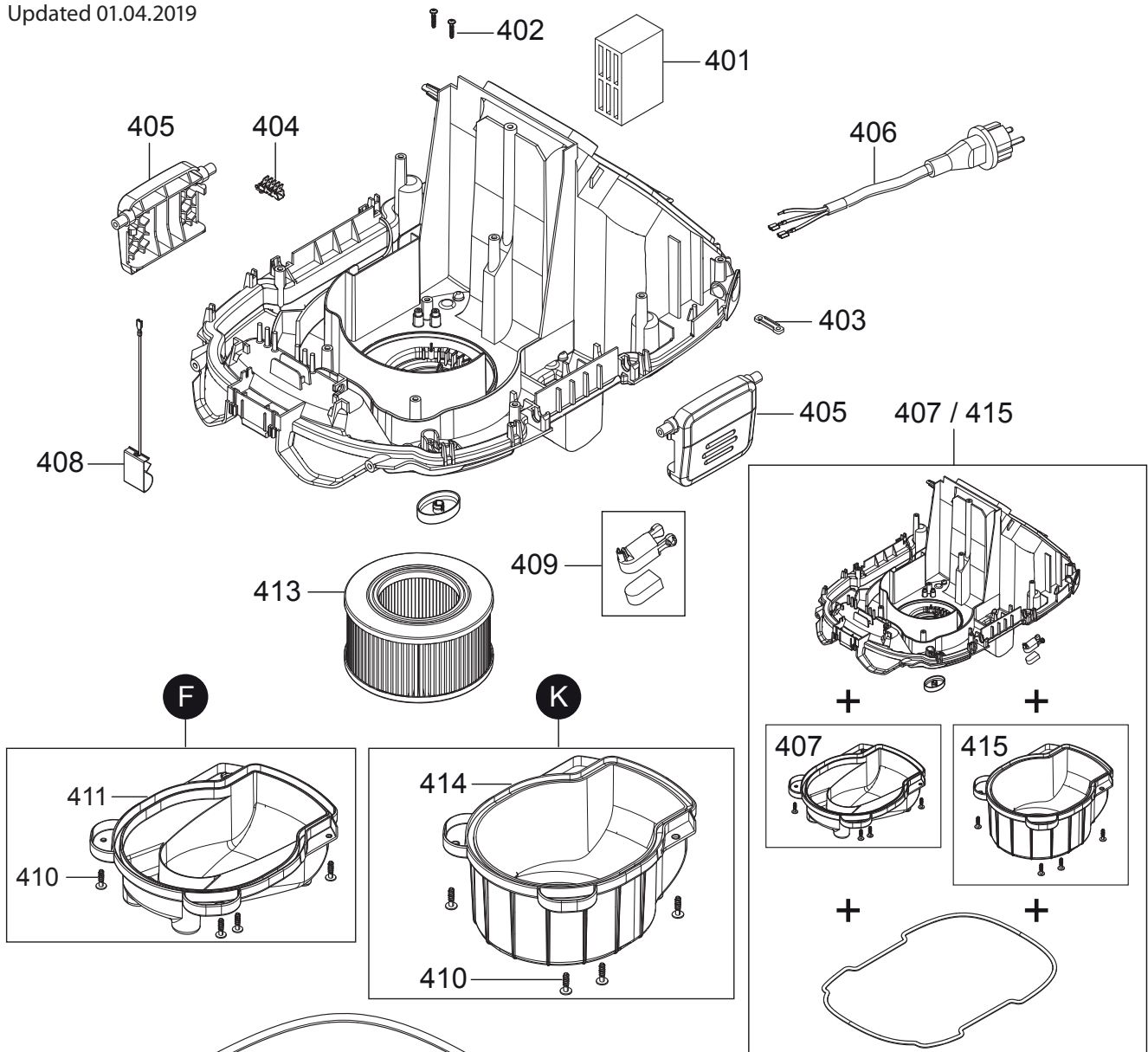
Mirka code	Item	Description	Kit	Qty
8999231011		Motor assembly 110 V	J	
	310	Motor assembly 110 V		1
	311	Carbon brush 110 V		2

Parts list – spare parts

Mirka code	Item	Description	Kit	Qty
8999230111	301	Foam sealing 298 x 148 mm		1
8999230211	302	Hatch door hinge snap		2
8999230311	303	Reed sensor with applicator		1
8999701311	305	Screw 3,5 x 18 mm		2
8999701811	306	Strap cable		1
8999110111	307	Motor cooling filter		1
8999230811	308	Cover for motor cooling filter		1
8999230911	309	Motor assembly 230 V		1
	310	Motor assembly 110 V	J	1
8999231111	311	Carbon brush 110 V	J	2
8999231211	312	Airguide L		1
8999701411	313	Screw 5 x 18 mm		9
8999231411	314	Wire / Capacitor kit		6
8999131511	315	Electronic board 230–240 V L PC		1
8999131911	319	Electronic board 110–120 V L PC		1

Exploded view of Dust Extractor 1230 L • PC • 230V & 110V

Updated 01.04.2019



Parts list – spare parts

Mirka code	Item	Description	Kit	Qty
8999240111	401	Sound absorber 83 x 55 x 35 mm		1
8999701311	402	Screw 3,5 x 18 mm		2
8999701811	403	Strap cable		1
8999711911	404	Distribution strip		1
8999240511	405	Container clamp		2
8999240611	406	Power cord (EU)		1
8999141311	406	Power cord (GB, 230V)		1
8999241411	406	Power cord (ANZ, 230V)		1
8999321111	406	Power cord (US, 120V)		1
8999240711	407	Base plate with air flow cover		1
8999240811	408	Contact spring with wire		1
8999240911	409	Floater with magnet		1
8999241011	410	Screws 5 x 18 mm, stainless steel	F, K	4
	411	Air flow cover, black	F	1
8999241211	412	Container sealing		1
8999100811*	413	Hepa filter		OPT.
	414	Hepa filter cover	K	OPT.
8999141511	415	Base plate with hepa filter cover		OPT.

Parts list – kits

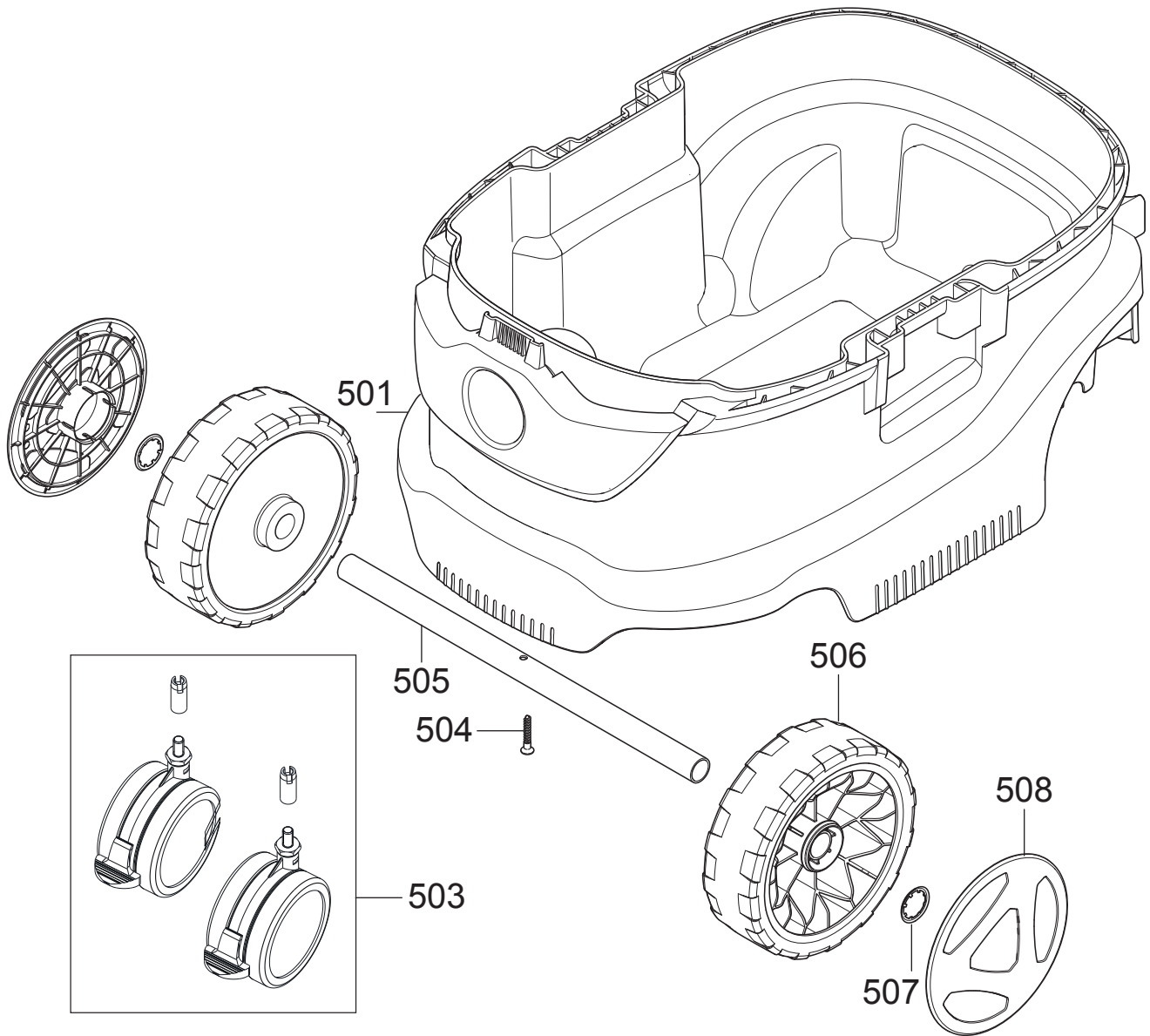
Mirka code	Item	Description	Kit	Qty
8999241111		Air flow cover kit	F	
	410	Screws 5 x 18 mm, stainless steel		4
	411	Air flow cover, black		1
8999100811*		Hepa filter cover kit	K	OPT.
	410	Screws 5 x 18 mm, stainless steel		4
	414	Hepa filter cover		1

* Standard in North America

* Standard in North America

Exploded view of Dust Extractor 1230 L • PC • 230V & 110V

Updated 30.01.2019



Parts list – spare parts

Mirka code	Item	Description	Kit	Qty
8999250111	501	Container 30L		1
8999250311	503	Front wheels D75 mm, 2/pack		2
8999250411	504	Screw 5 x 35 mm		1
8999703611	505	Wheel axle		1
8999150611	506	Rear wheel D175		2
8999703911	507	Clamping ring		2
8999250811	508	Wheel cap		2