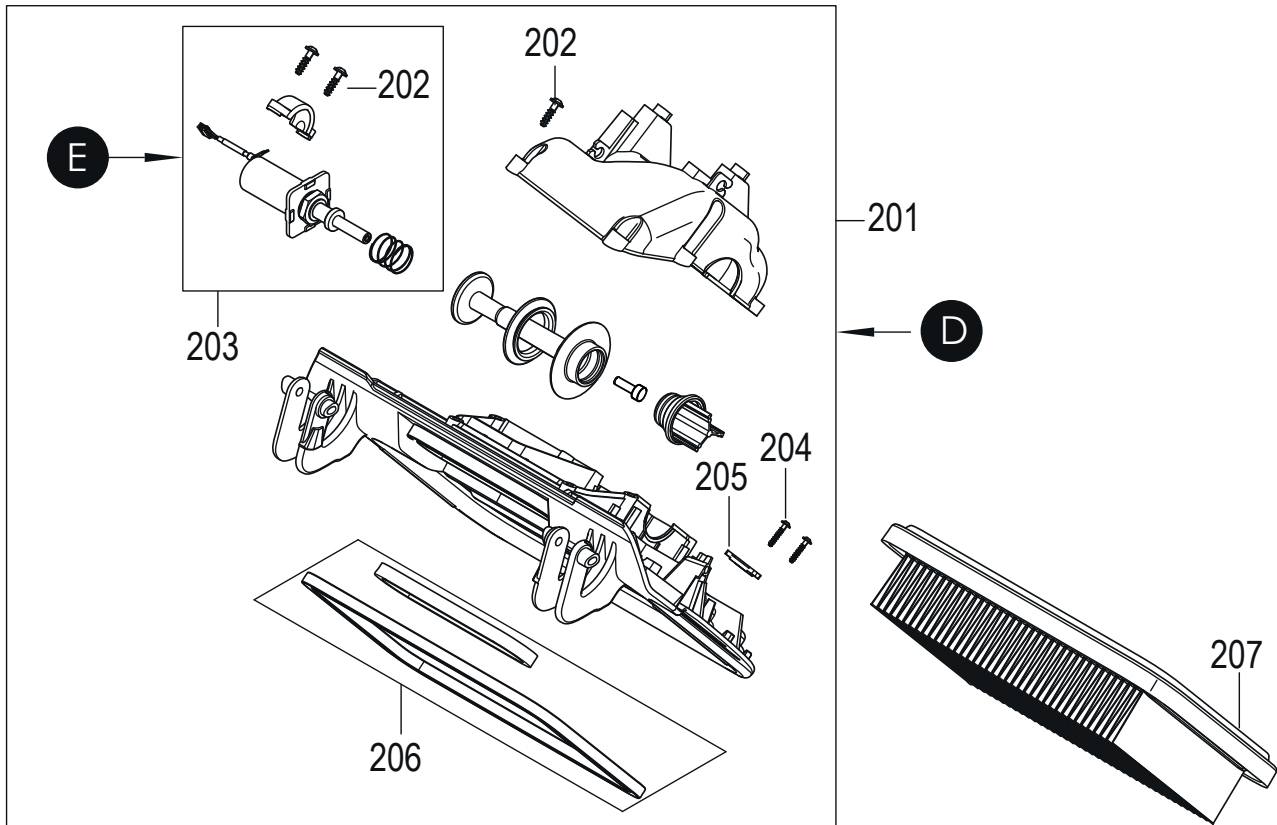




# Exploded view of Dust Extractor 1230 M & 1242 M • AFC

Updated 18.03.2019



## Parts list – kits

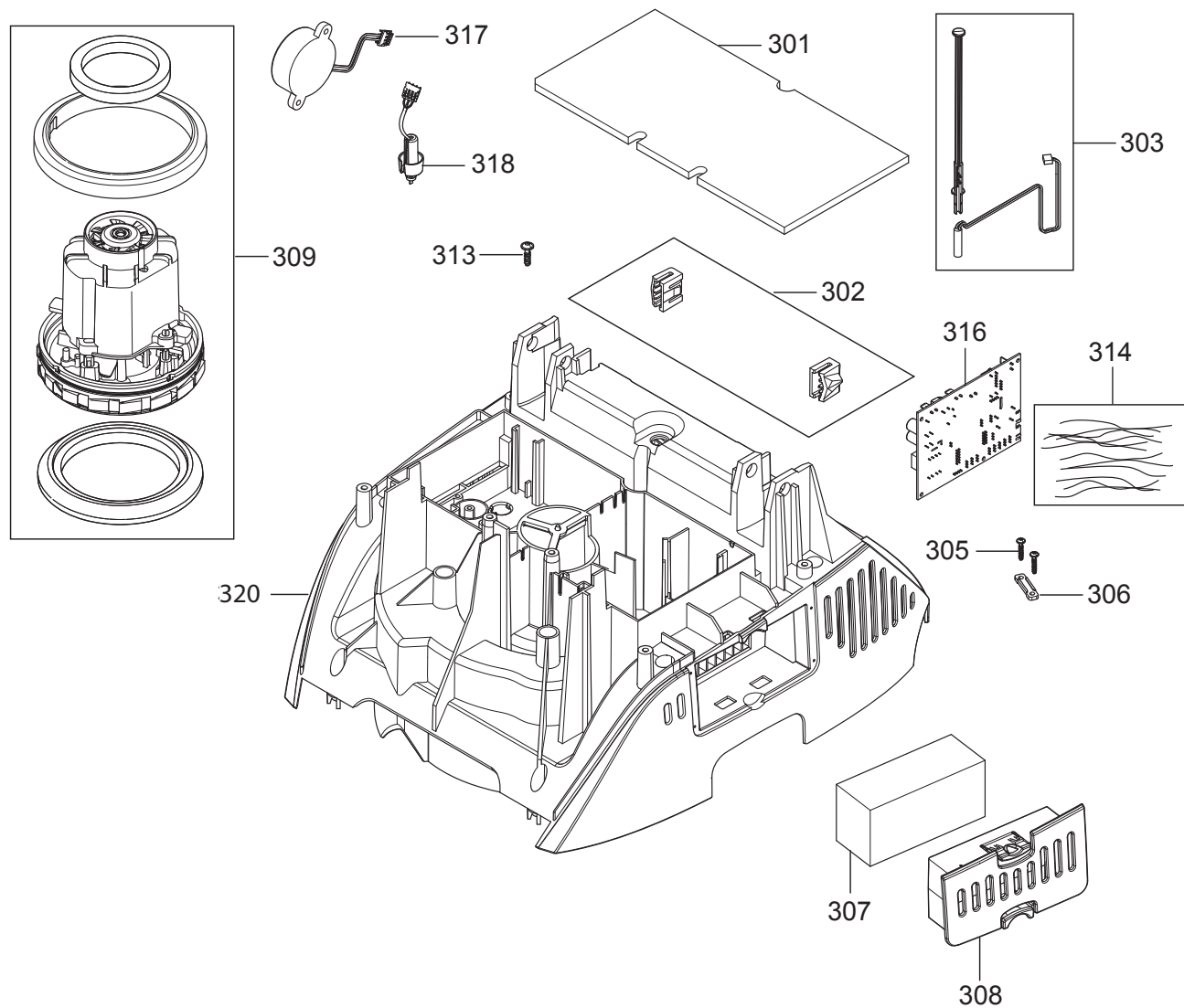
| Mirka code        | Item | Description                       | Kit | Qty |
|-------------------|------|-----------------------------------|-----|-----|
| <b>8999220811</b> |      | <b>Hatch door frame kit AFC</b>   | D   |     |
|                   | 201  | Hatch door frame                  |     | 1   |
|                   | 202  | Screws 5 x 18 mm                  |     | 15  |
|                   | 203  | Solenoid 220–240 V                |     | 1   |
|                   | 204  | Screws 3,5 x 18 mm                |     | 1   |
|                   | 205  | Strap 3 x 8 x 33 mm               |     | 1   |
|                   | 206  | Hatch door filter gasket          |     | 1   |
| <b>8999220311</b> |      | <b>Solenoid kit 220–240 V AFC</b> | E   |     |
|                   | 202  | Screws 5 x 18 mm                  |     | 2   |
|                   | 203  | Solenoid 220–240 V                |     | 1   |

## Parts list – spare parts

| Mirka code        | Item       | Description              | Kit  | Qty   |
|-------------------|------------|--------------------------|------|-------|
|                   | 201        | Hatch door frame AFC     | D    | 1     |
|                   | 202        | Screws 5 x 18 mm         | D, E | 15, 2 |
|                   | 203        | Solenoid 220–240 V AFC   | D, E | 1     |
|                   | 204        | Screws 3,5 x 18 mm       | D    | 2     |
|                   | 205        | Strap 3 x 8 x 33 mm      | D    | 1     |
|                   | 206        | Hatch door filter gasket | D    | 1     |
| <b>8999100411</b> | <b>207</b> | <b>Filter</b>            |      | 1     |

# Exploded view of Dust Extractor 1230 M & 1242 M • AFC

Updated 04.01.2019

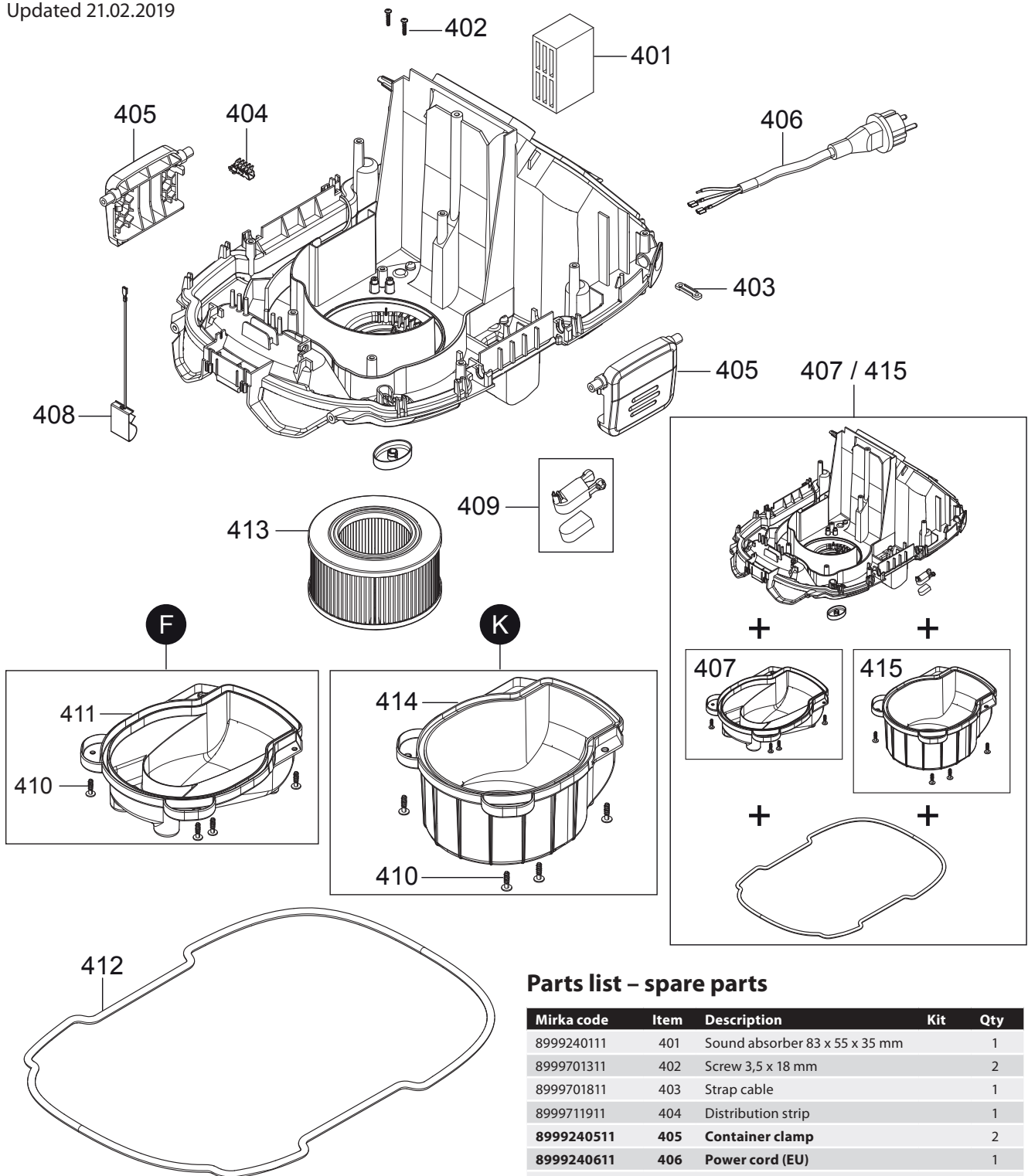


## Parts list – spare parts

| Mirka code        | Item       | Description                             | Kit | Qty |
|-------------------|------------|---|-----|-----|
| 8999230111        | 301        | Foam sealing 298 x 148 mm               |     | 1   |
| <b>8999230211</b> | <b>302</b> | <b>Hatch door hinge snap</b>            |     | 2   |
| 8999230311        | 303        | Reed sensor with applicator             |     | 1   |
| 8999701311        | 305        | Screw 3,5 x 18 mm                       |     | 2   |
| 8999701811        | 306        | Strap cable                             |     | 1   |
| <b>8999110111</b> | <b>307</b> | <b>Motor cooling filter</b>             |     | 1   |
| <b>8999230811</b> | <b>308</b> | <b>Cover for motor cooling filter</b>   |     | 1   |
| <b>8999230911</b> | <b>309</b> | <b>Motor assembly 230 V</b>             |     | 1   |
| 8999701411        | 313        | Screw 5 x 18 mm                         |     | 9   |
| 8999231411        | 314        | Wire/Capacitor kit                      |     | 6   |
| <b>8999231611</b> | <b>316</b> | <b>Electronic board 230–240 V M AFC</b> |     | 1   |
| 8999231711        | 317        | Buzzer M                                |     | 1   |
| <b>8999231811</b> | <b>318</b> | <b>Flow sensor M</b>                    |     | 1   |
| 8999232011        | 320        | Airguide M                              |     | 1   |

# Exploded view of Dust Extractor 1230 M & 1242 M • AFC

Updated 21.02.2019



## Parts list – kits

| Mirka code        | Item | Description                       | Kit | Qty  |
|-------------------|------|-----------------------------------|-----|------|
| <b>8999241111</b> |      | <b>Air flow cover kit</b>         | F   |      |
|                   | 410  | Screws 5 x 18 mm, stainless steel |     | 4    |
|                   | 411  | Air flow cover, black             |     | 1    |
| <b>8999100811</b> |      | <b>Hepa filter cover kit</b>      | K   | OPT. |
|                   | 410  | Screws 5 x 18 mm, stainless steel |     | 4    |
|                   | 414  | Hepa filter cover                 |     | 1    |

## Parts list – spare parts

| Mirka code        | Item       | Description                           | Kit  | Qty  |
|-------------------|------------|---------------------------------------|------|------|
| 8999240111        | 401        | Sound absorber 83 x 55 x 35 mm        |      | 1    |
| 8999701311        | 402        | Screw 3,5 x 18 mm                     |      | 2    |
| 8999701811        | 403        | Strap cable                           |      | 1    |
| 8999711911        | 404        | Distribution strip                    |      | 1    |
| <b>8999240511</b> | <b>405</b> | <b>Container clamp</b>                |      | 2    |
| <b>8999240611</b> | <b>406</b> | <b>Power cord (EU)</b>                |      | 1    |
| <b>8999141311</b> | <b>406</b> | <b>Power cord (GB, 230V)</b>          |      | 1    |
| <b>8999240711</b> | <b>407</b> | <b>Base plate with air flow cover</b> |      | 1    |
| 8999240811        | 408        | Contact spring with wire              |      | 1    |
| 8999240911        | 409        | Floater with magnet                   |      | 1    |
| 8999241011        | 410        | Screws 5 x 18 mm, stainless steel     | F, K | 4    |
| 8999241211        | 412        | Container sealing                     |      | 1    |
| <b>8999100711</b> | <b>413</b> | <b>Hepa filter</b>                    |      | OPT. |
|                   | 414        | Hepa filter cover                     | K    | OPT. |
| 8999141511        | 415        | Base plate with hepa filter cover     |      | OPT. |

# Exploded view of Dust Extractor 1230 M & 1242 M • AFC

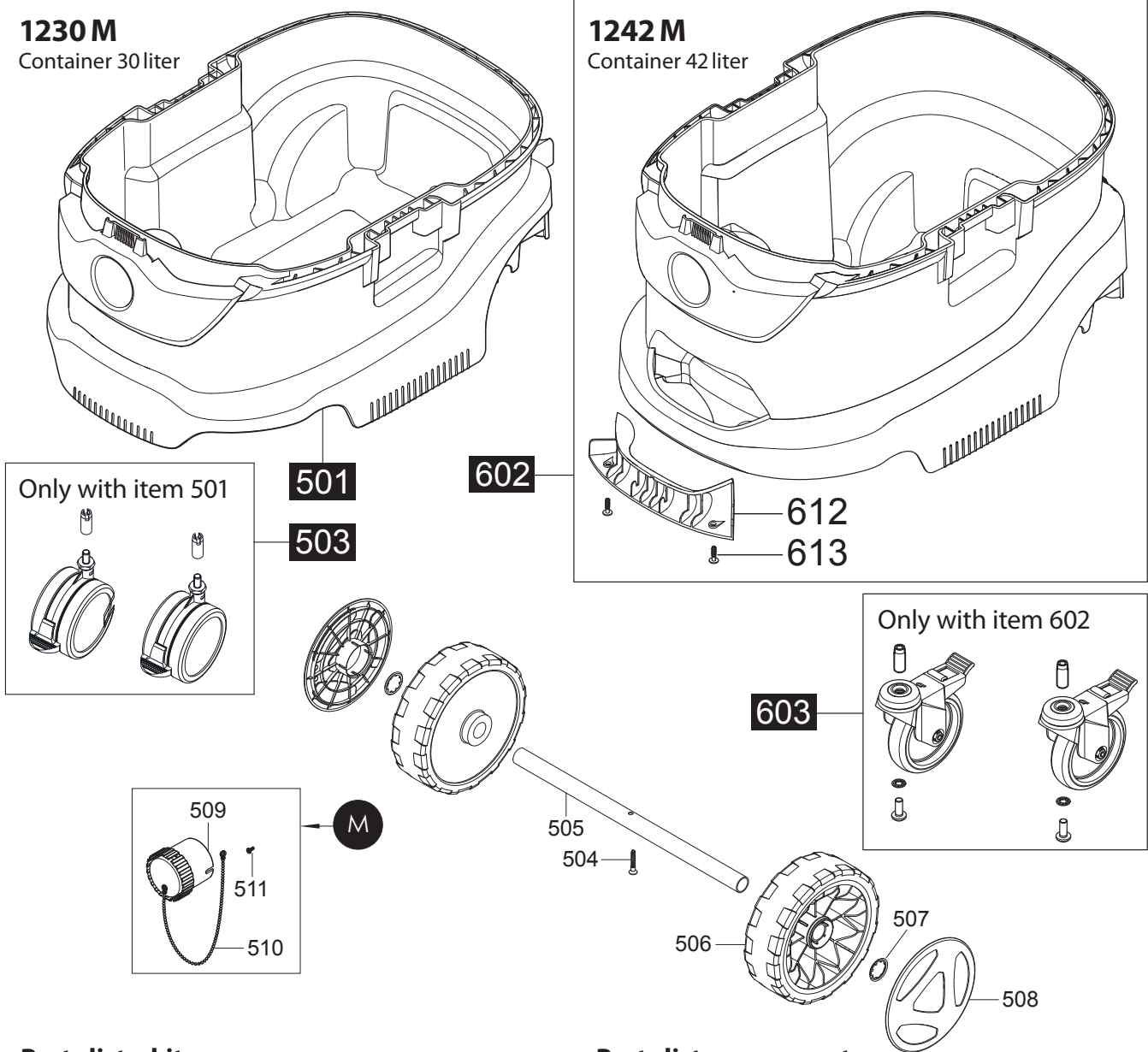
Updated 15.04.2019

## 1230 M

Container 30 liter

## 1242 M

Container 42 liter



### Parts list – kits

| Mirka code        | Item | Description               | Kit | Qty |
|-------------------|------|---------------------------|-----|-----|
| <b>8999754911</b> |      | <b>Container plug kit</b> | M   |     |
|                   | 509  | Hose inlet plug 50 mm     |     | 1   |
|                   | 510  | Bead chain 15 mm          |     | 1   |
|                   | 511  | Screw 3,5 x 8 mm          |     | 1   |

### Parts list – spare parts

| Mirka code        | Item       | Description                        | Kit | Qty      |
|-------------------|------------|------------------------------------|-----|----------|
| 8999250111        | 501        | Container 30L                      |     | 1        |
| <b>8999250311</b> | <b>503</b> | <b>Front wheels D75 mm, 2/pack</b> |     | <b>2</b> |
| 8999250411        | 504        | Screw 5 x 35 mm                    |     | 1        |
| 8999703611        | 505        | Wheel axle                         |     | 1        |
| 8999150611        | 506        | Rear wheel D175                    |     | 2        |
| 8999703911        | 507        | Clamping ring                      |     | 2        |
| 8999250811        | 508        | Wheel cap                          |     | 2        |
|                   | 509        | Hose inlet plug 50 mm              | M   | 1        |
|                   | 510        | Bead chain 15 mm                   | M   | 1        |
|                   | 511        | Screw 3,5 x 8 mm                   | M   | 1        |
| 8999260211        | 602        | Container 42 L                     |     | 1        |
| 8999260311        | 603        | Castor wheel D100 with brake       |     | 2        |
| 8999261211        | 612        | Handle inner for container 42 L    |     | 1        |
| 8999701411        | 613        | Screw 5 x 18 mm                    |     | 2        |