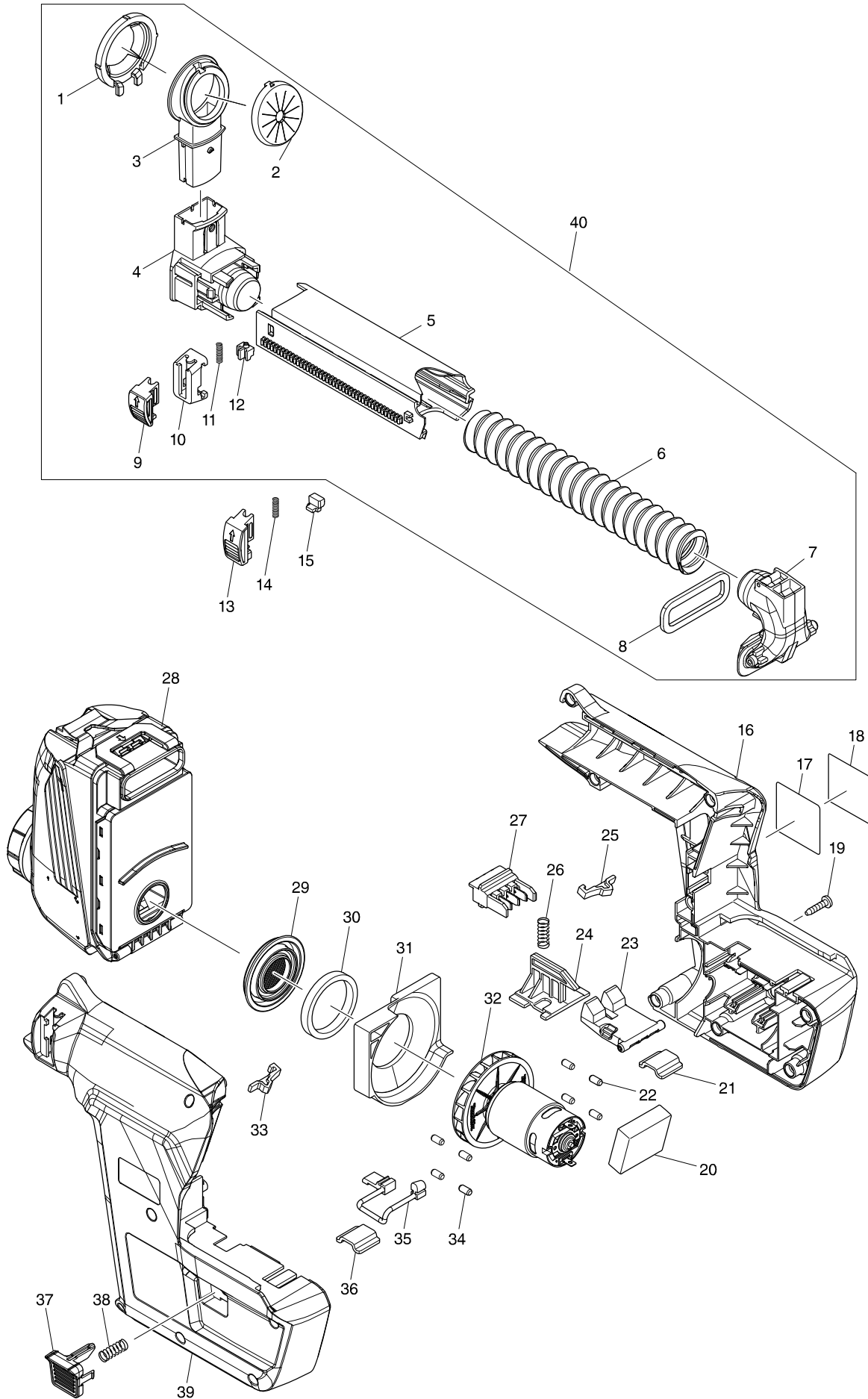
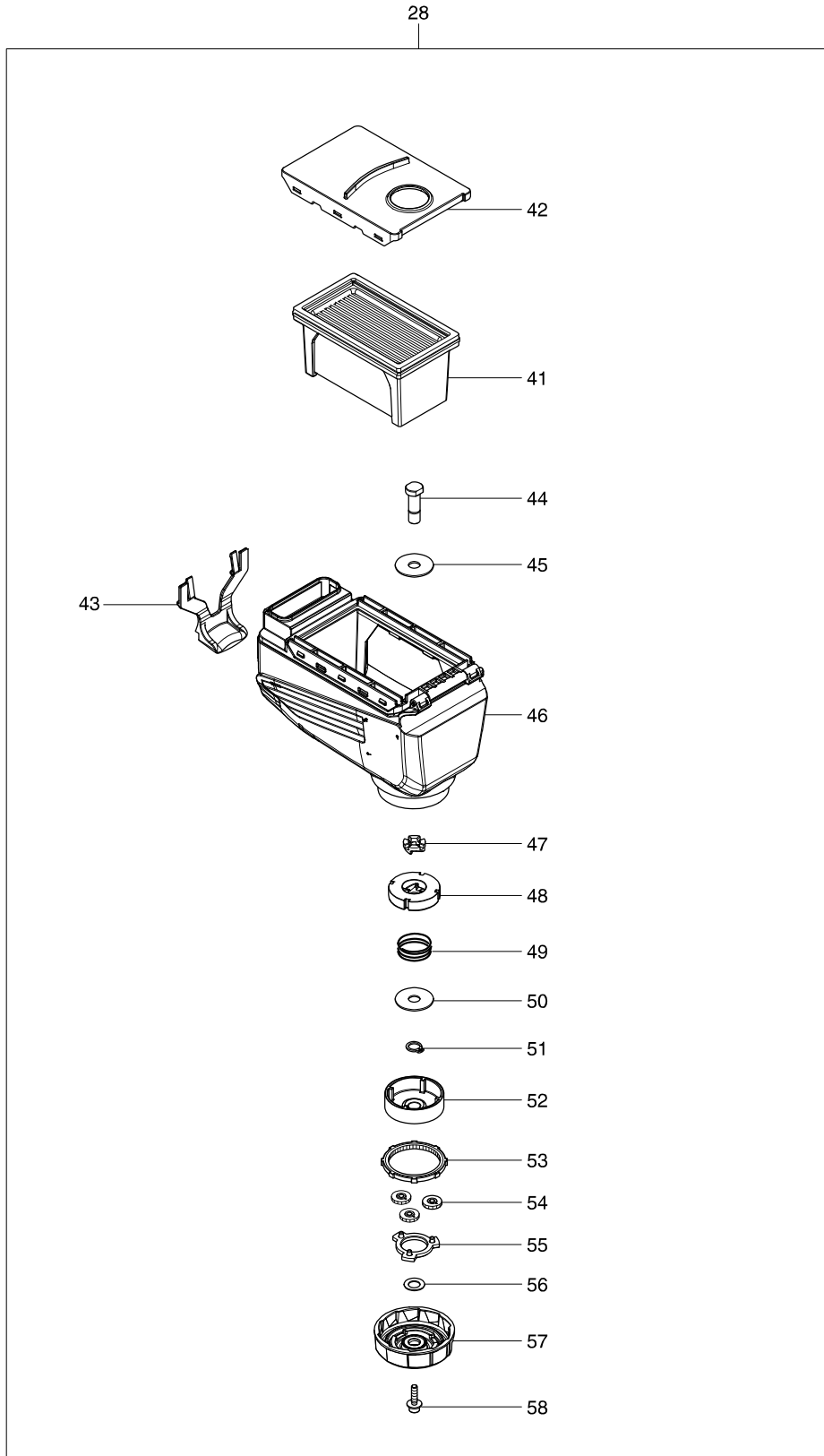


Model No. DX07 DUST COLLECTION SYSTEM



Model No. DX07 DUST COLLECTION SYSTEM



Model No. DX07 DUST COLLECTION SYSTEM

Item	Parts No.	Description	I/C	Qty	N/O	Opt. 1	Opt. 2	Note
001	424722-2	FITTING RUBBER		1				
002	424474-5	SEALING CAP		1				
003	455736-0	COLLECTOR		1				
004	454579-7	COLLECTOR BASE B		1				
005	454580-2	SLIDE PIPE		1				
006	245038-0	HOSE 30		1				
007	456017-5	INNER PIPE		1				
008	423425-5	SPONGE SHEET B		1				
009	453141-5	SLIDE LEVER A		1				
010	453140-7	STOPPER BASE		1				
011	234227-2	COMPRESSION SPRING 3		1				
012	453702-1	RACK A		1				
013	453142-3	SLIDE LEVER B		1				
014	234227-2	COMPRESSION SPRING 3		1				
015	453139-2	RACK B		1				
016	187304-8	HOUSING SET		1				
D10		INC. 39						
017	855D88-7	DX07 NAME PLATE		1				
018	890995-3	CLEAR LABEL		1				
019	266326-2	TAPPING SCREW 4X18		8				
020	638956-3	CONTROLLER UNIT		1				
C10	654069-2	RECEPTACLE		2				
C20	654281-4	RECEPTACLE		3				
021	346539-2	GUIDE PLATE		1				
022	263025-7	RUBBER PIN 4		4				
023	453146-5	HOOK		1				
024	453144-9	LIFT PLATE		1				
025	424475-3	CUSHION		1				
026	234228-0	COMPRESSION SPRING 6		1				
027	638931-9	CONNECTOR		1				
028	199555-1	DUST CASE SET		1				
D10		INC. 41-58						
029	453171-6	FILTER PLATE		1				
030	423427-1	SPONGE SHEET C		1				
031	453143-1	BAFFLE PLATE		1				
032	140K26-7	MOTOR COMPLETE		1				
033	424475-3	CUSHION		1				
034	263025-7	RUBBER PIN 4		4				
035	424486-8	EARTH RUBBER		1				
036	346539-2	GUIDE PLATE		1				
037	453145-7	PUSH BUTTON		1				
038	234228-0	COMPRESSION SPRING 6		1				
039	187304-8	HOUSING SET		1				
D10		INC. 16						
040	135696-9	SLIDE PIPE ASSEMBLY		1				
D10		INC. 1-12						
041	199557-7	FILTER SET		1				
042	453150-4	FILTER COVER		1				

