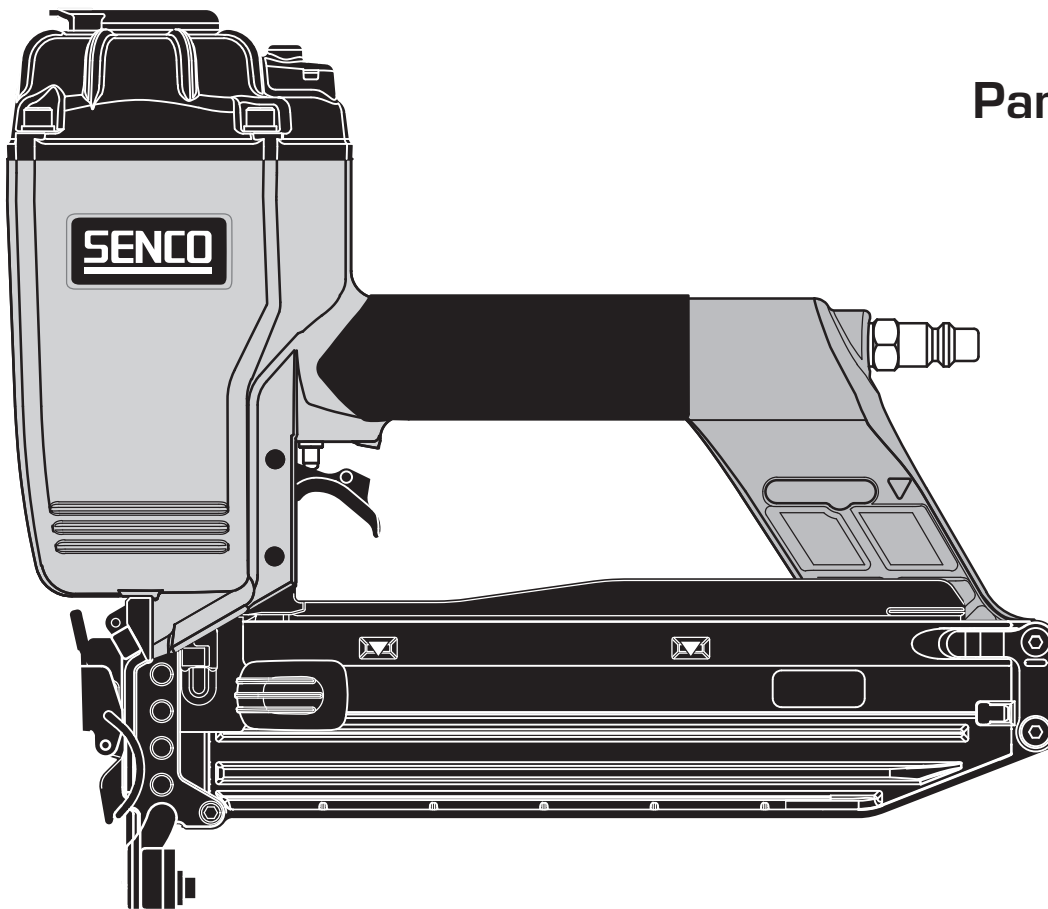


SQS55XP

Construction Stapler



Parts Reference Guide

Guía de referencia
de piezas

Pièces Guide
de référence

Schematic Drawings Inside
Plano esquemático en el interior
Schéma intérieur



Repair Kit
YK0375



KYOCERA-SENCO Industrial Tools, Inc.
8450 Broadwell Road
Cincinnati, OH 45244
1-800-543-4596

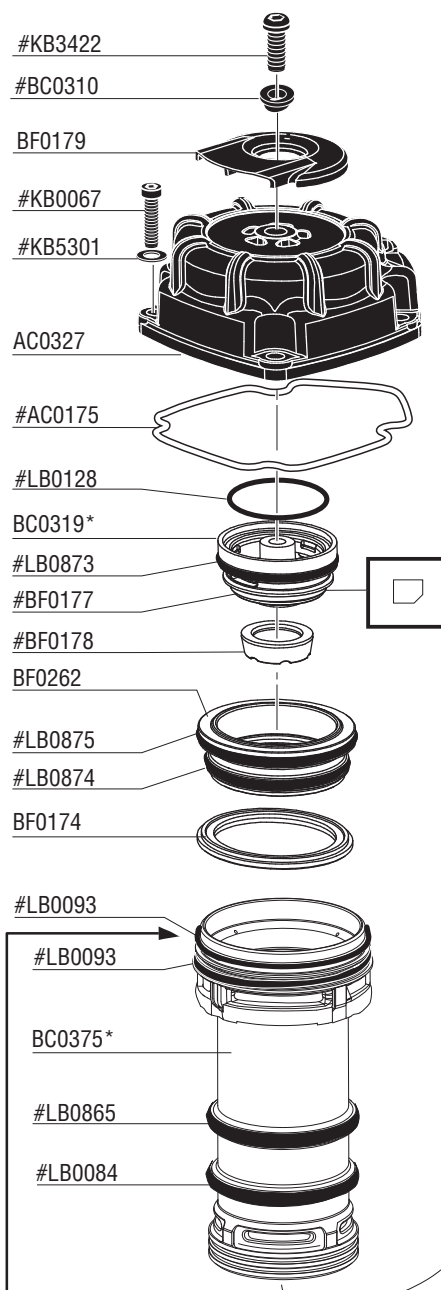
www.senco.com

NFG066 • Revised March 26, 2021 (Replaces 8/7/19)

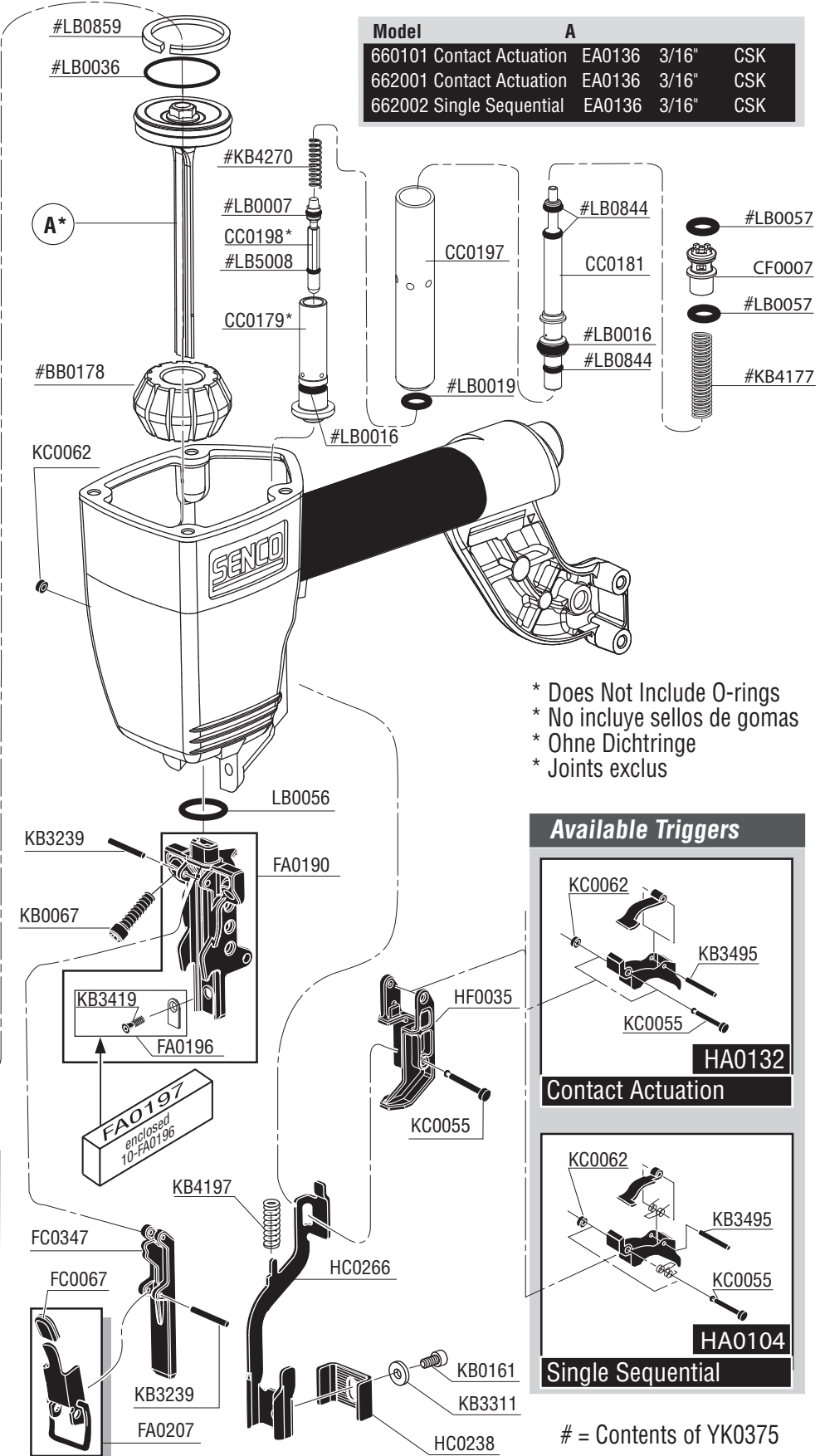
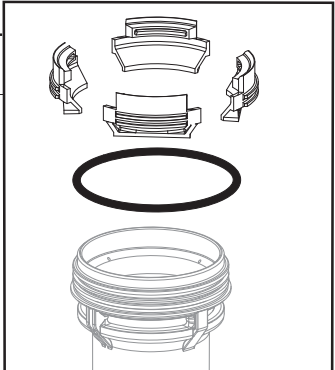
Questions? Comments? call Senco's toll-free Action-Line: 1-800-543-4596
(North and South America Only) or email: toolprof@senco.com

¿Tiene preguntas? ¿Comentarios? Llame a la línea gratuita de acción de Senco: 1-800-543-4596
(sólo para América del Norte y del Sur) o envíe un correo electrónico: toolprof@senco.com

Des questions? Des commentaires? Communiquez avec le service d'assistance sans frais de Senco : 1-800-543-4596
(Amérique du Nord et Amérique du Sud seulement) ou envoyer un courriel: toolprof@senco.com



BA0139
Optional Kit
(Requires
Installation)



Model	A		
660101 Contact Actuation	EA0136	3/16"	CSK
662001 Contact Actuation	EA0136	3/16"	CSK
662002 Single Sequential	EA0136	3/16"	CSK

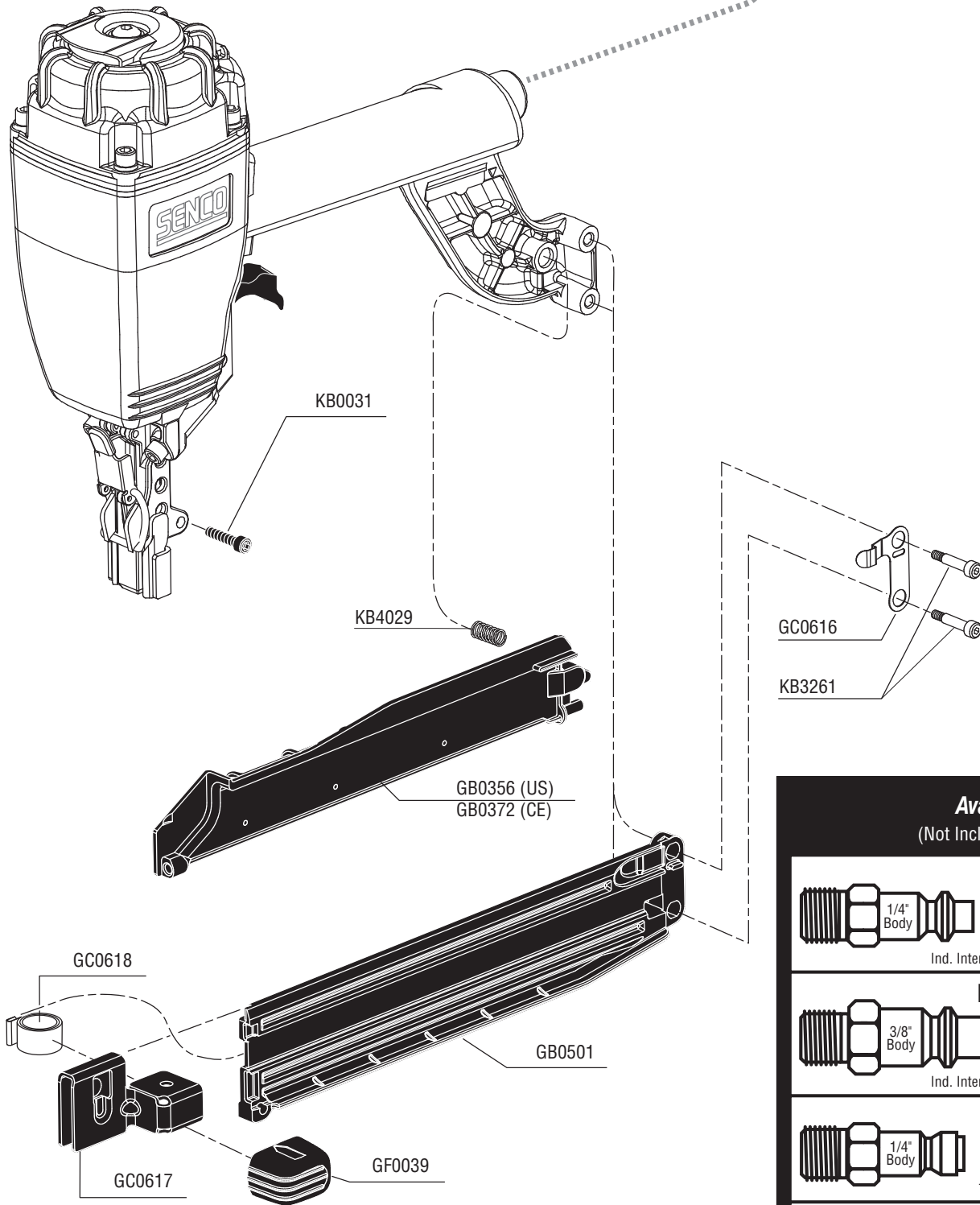
- * Does Not Include O-rings
- * No incluye sellos de gomas
- * Ohne Dichtringe
- * Joints exclus

Available Triggers

HA0132
Contact Actuation

HA0104
Single Sequential

= Contents of YK0375



Available Plugs (Not Included with Tool)

	PC0480
	PC0485 ✓
	PC0469
	PC0475 ✓

Recommended Plugs
Plugs shown smaller than actual size



REPLACEMENT PARTS LIST • LISTA DE PARTES DE REPUESTO • LISTE DE PIÈCES DE RECHANGE

PART NO.	DESCRIPTION	DESCRIPCIÓN	DÉSIGNATION
AC0175	SEAL	SELLO	JOINT
AC0327	CAP	TAPA	BOUCHON
BA0139	INSERT (4)	ACOPLAMIENTO (4) (4)	INSERT (4)
BB0178	STOP	TOPE	ARRÊT
BC0310	BUSHING	CASQUILLO	DOUILLE
BC0375	CYLINDER	CILINDRO	CYLINDRE
BC0319	VALVE	VÁLVULA	VALVE
BF0174	SEAL	SELLO	JOINT
BF0175	VALVE	VÁLVULA	VALVE
BF0177	SEAL	SELLO	JOINT
BF0178	BUMPER	AMORTIGUADOR	AMORTISSEUR
BF0179	DEFLECTOR	DESVIADOR	DÉFLECTEUR
BF0262	VALVE	VÁLVULA	VALVE
CC0179	HOUSING	ALOJAMIENTO	CORPS
CC0181	CORE	VÁSTAGO	NOYAU
CC0197	HOUSING	ALOJAMIENTO	CORPS
CC0198	CORE	VÁSTAGO	NOYAU
CF0007	HOUSING	ALOJAMIENTO	CORPS
EA0136	PISTON ASSEMBLY	ASAMBLE DE PISTON	ENSEMBLE PISTON-COUTEAU
FA0190	GUIDEBODY	PLACA DE NARIZ	FRONT
FA0196	PLATE	PLACA	PLAQUE
FA0197	PLATE (10)	PLACA (10)	PLAQUE (10)
FA0207	LATCH ASSEMBLY	ASAMBLE DE UÑETA	DOIGT DE RETENUE D'ASSEMBLÉE
FC0067	GRIP	AGARRADERO	GAINÉ EN CUIR
FC0347	DOOR	PUERTA	PORTE
GB0356	DOOR (US)	PUERTA	PORTE
GB0372	DOOR (CE)	PUERTA	PORTE
GB0501	MAGAZINE	CARGADOR	MAGASIN
GC0616	LATCH	UÑETA	DOIGT DE RETENUE
GC0617	FEEDER SHOE	ALIMENTADOR	POUSSOIR
GC0618	SPRING	RESORTE	RESSORT
GF0039	COVER	CUBIERTA	COUVERCLE
HA0104	TRIGGER ASSEMBLY	ASAMBLE DE GATILLO	GÂCHETTE D'ASSEMBLÉE
HA0132	TRIGGER ASSEMBLY	ASAMBLE DE GATILLO	GÂCHETTE D'ASSEMBLÉE
HC0238	SAFETY ELEMENT	SEGURO	PALPEUR DE SÉCURITÉ
HC0266	SAFETY ELEMENT	SEGURO	PALPEUR DE SÉCURITÉ
HF0035	COVER	CUBIERTA	COUVERCLE
KB0031	SCREW	TORNILLO	VIS
KB0067	SCREW	TORNILLO	VIS
KB0161	SCREW	TORNILLO	VIS
KB3239	PIN	PASADOR	GOUPILLE
KB3261	SCREW	TORNILLO	VIS
KB3311	WASHER	ARANDELA	RONDELLE
KB3419	SCREW	TORNILLO	VIS
KB3422	SCREW	TORNILLO	VIS
KB3495	PIN	PASADOR	GOUPILLE
KB4029	SPRING	RESORTE	RESSORT
KB4130	SPRING	RESORTE	RESSORT
KB4131	SPRING	RESORTE	RESSORT
KB4177	SPRING	RESORTE	RESSORT
KB4197	SPRING	RESORTE	RESSORT
KB4270	SPRING	RESORTE	RESSORT
KB5301	WASHER	ARANDELA	RONDELLE
KC0055	PIN	PASADOR	GOUPILLE
KC0062	RETAINER	RETÉN	RETENUE
LB0007	SEAL	SELLO	JOINT
LB0016	SEAL	SELLO	JOINT
LB0019	SEAL	SELLO	JOINT
LB0036	SEAL	SELLO	JOINT
LB0056	SEAL	SELLO	JOINT
LB0057	SEAL	SELLO	JOINT
LB0084	SEAL	SELLO	JOINT
LB0093	SEAL	SELLO	JOINT
LB0128	SEAL	SELLO	JOINT
LB0844	SEAL	SELLO	JOINT
LB0859	SEAL	SELLO	JOINT
LB0865	SEAL	SELLO	JOINT
LB0873	SEAL	SELLO	JOINT
LB0874	SEAL	SELLO	JOINT
LB0875	SEAL	SELLO	JOINT
LB5008	SEAL	SELLO	JOINT