

SENCO®

FinishPro® 18Mg Parts Chart

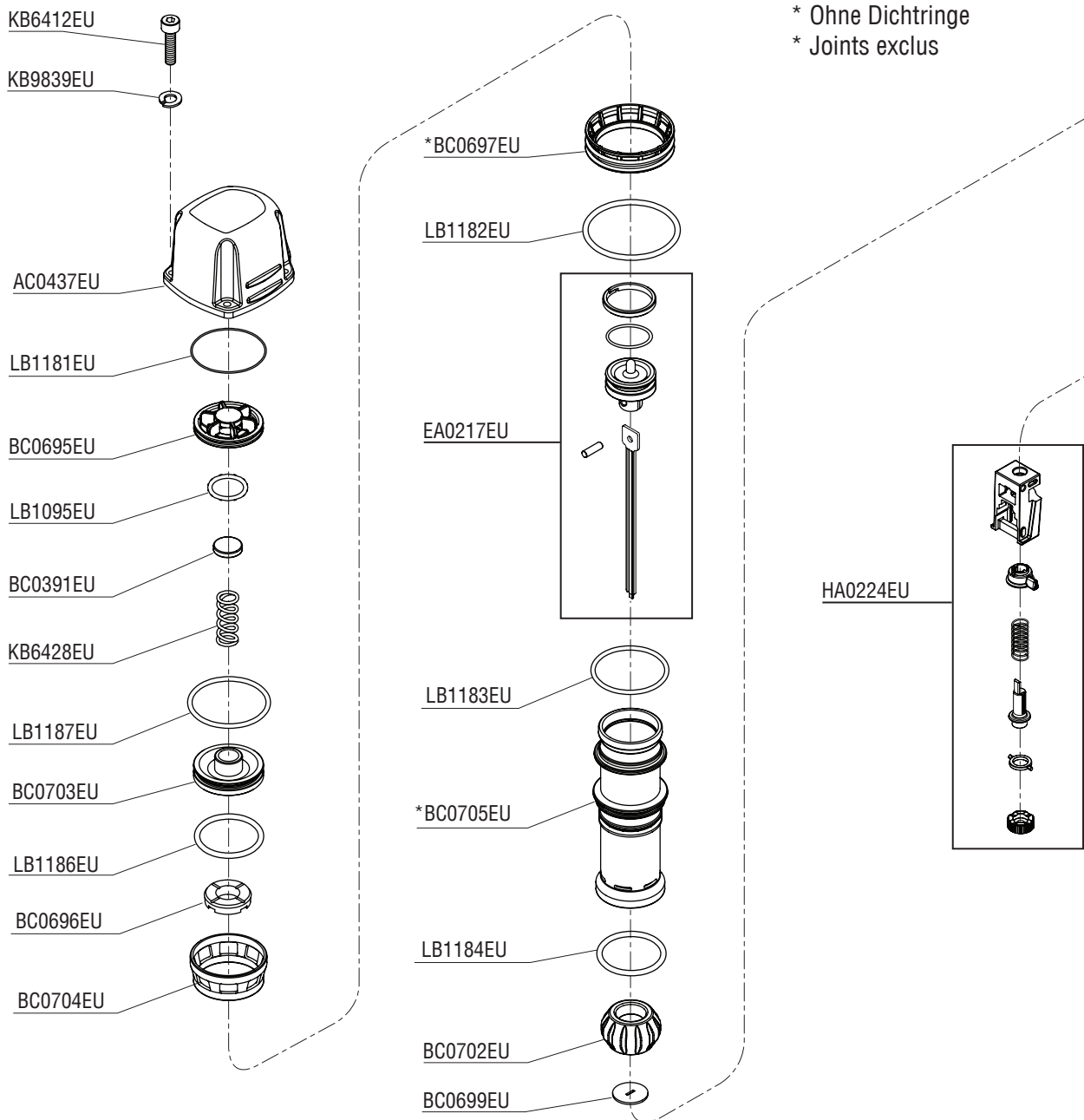


NFE01U Revised May 1, 2012 (Replaces 11/18/10) © 2012 by SENCO Brands, Inc. Cincinnati, Ohio 45245—U.S.A.

Verpa Senco BV
Pascallaan 88
8218 NJ LELYSTAD
The Netherlands
EMEA Website: www.senco-emea.com

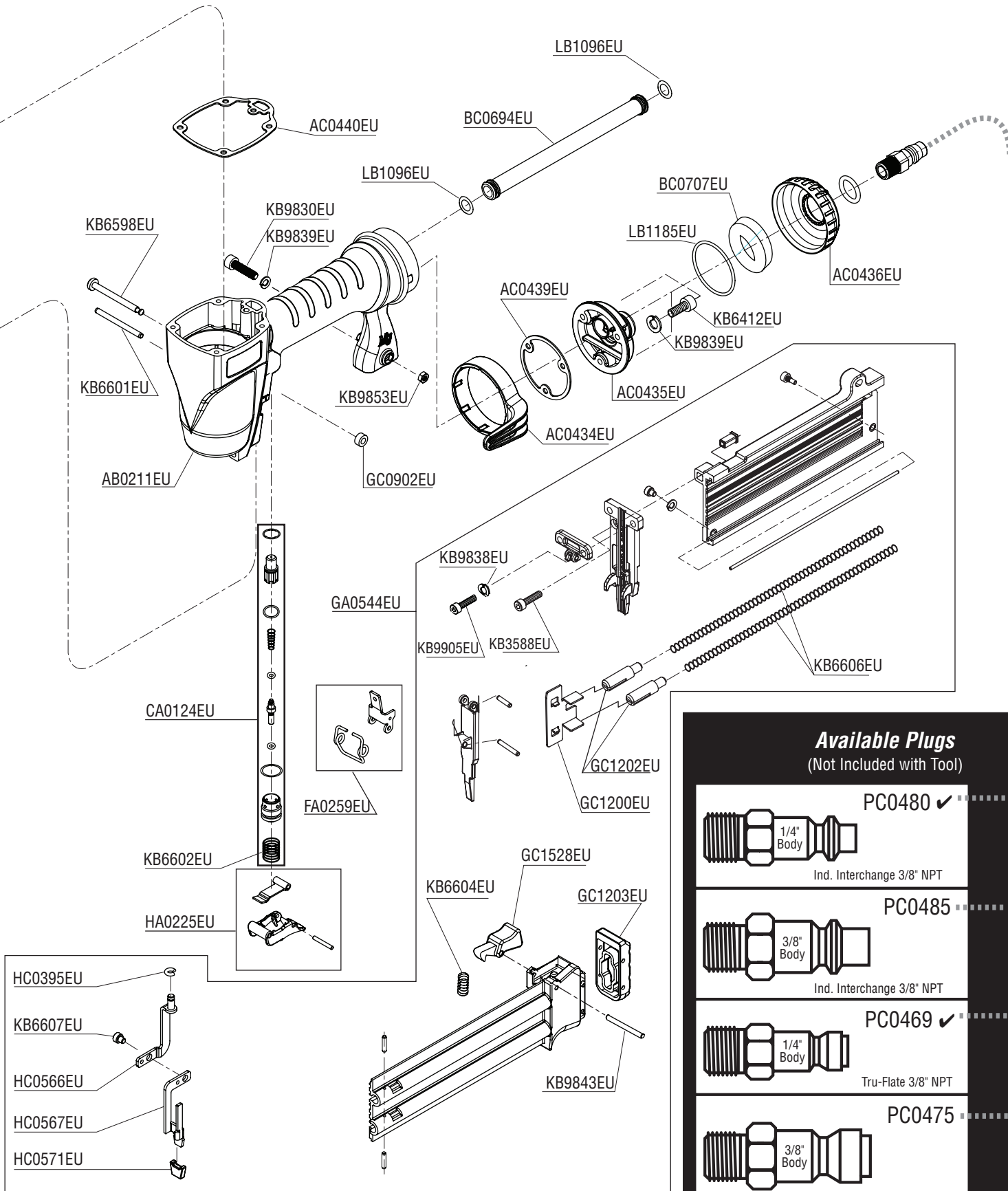
Tool #

1U2025N



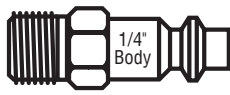
- * Does Not Include O-rings
- * No incluye sellos de gomas
- * Ohne Dichtringe
- * Joints exclus

EU DESIGNED PARTS CAN BE DIFFERENT




NFE01U Revised May 1, 2012 (Replaces 11/18/10) © 2012 by SENC0 Brands, Inc. Cincinnati, Ohio 45245—U.S.A.

Available Plugs (Not Included with Tool)

- 

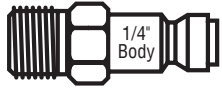
PC0480 ✓

1/4" Body

Ind. Interchange 3/8" NPT
- 


PC0485

3/8" Body

Ind. Interchange 3/8" NPT
- 

PC0469 ✓

1/4" Body

Tru-Flate 3/8" NPT
- 

PC0475

3/8" Body

Tru-Flate 3/8" NPT

✓ **Recommended Plugs**
Plugs shown smaller than actual size

EU DESIGNED PARTS CAN BE DIFFERENT

FinishPro® 18Mg

REPLACEMENT PARTS LIST • LISTA DE PARTES DE REPUESTO • ERSATZTEILE-LISTE • LISTE DE PIÈCES DE RECHANGE

PART NO.	DESCRIPTION	DESCRIPCIÓN	BESCHREIBUNG	DÉSIGNATION
AB0211EU	MAINBODY	CARCASA	GEHÄUSE	CORPS
AC0434EU	BELT HOOK	GANCHO DE CINTURON	GURTHAKEN	CROCHET DE CEINTURE
AC0435EU	CAP	TAPA	KAPPE	BOUCHON
AC0436EU	COVER	PLACA	SCHUTZPLATTE	BOUCLIER ANTIABRASIF
AC0437EU	CAP	TAPA	KAPPE	BOUCHON
AC0439EU	SEAL (GASKET)	SELLO	DICHTUNG	JOINT
AC0440EU	SEAL (GASKET)	SELLO	DICHTUNG	JOINT
BC0391EU	SEAL	SELLO	DICHTUNG	JOINT
BC0694EU	TUBE	CILINDRO	ZYLINDER	CYLINDRE
BC0695EU	EXHAUST VALVE	VÁLVULA	VENTIL	VALVE
BC0696EU	STOP	TOPPE	PUFFER	ARRÊT
BC0697EU	SPACER	SEPARADOR	SISTANZSTÜCK	ENTRETOISE
BC0699EU	WASHER	ARANDELA	SCHEIBE	RONDELLE
BC0702EU	STOP, PISTON	TOPE	PUFFER	ARRÊT
BC0703EU	VALVE	VÁLVULA	VENTIL	VALVE
BC0704EU	COLLAR	CILINDRO	ZYLINDER	CYLINDRE
BC0705EU	CYLINDER	CILINDRO	ZYLINDER	CYLINDRE
BC0707EU	MUFFLER	SILENCIADOR	DÄMPFER	SILENCIEUX
CA0124EU	TRIGGER VALVE ASY	ASAMBLE DE GATILLO VÁLVULA	AUSLÖSER/ VENTIL	GÂCHETTE/ VALVE
EA0217EU	PISTON/DRIVER ASSY	ASAMBLE DE PISYON Y	KOLBEN/TREIBER-	PISTON/COUTEAU
FA0259EU	LATCH ASY	UNETA	VERSCHLUSS	DOIGT DE RETENUE
GA0544EU	MAGAZINE ASY	ASAMBLE DE CARRIL	SCHIENE-ZUSAMMENBAU	RAIL D'ASSEMBLÉE
GC0902EU	RETAINER	JUNTA TÓRICA	SICHERUNGSRING	RETENUE
GC1200EU	FEEDER SHOE ASY	ALIMENTADOR	NAGELSCHIEBER	POUSSOIR
GC1202EU	RETAINER	JUNTA TÓRICA	SICHERUNGSRING	RETENUE
GC1203EU	CAP	TAPA	KAPPE	BOUCHON
HA0224EU	SAFETY ELEMENT (UPPER)	SEGURO DE SUPERIOR	OBERSICHERHEITSVORRICHTUNG	SÉCURITÉ EN DESSUS
HA0225EU	TRIGGER ASSY	ASAMBLE DE GATILLO	AUSLÖSER-ZUSAMMENBAU	GACHETTED'ASSEMBLÉE
HC0395EU	RING	ANILLO	REIFEN	ANNEAU
HC0566EU	SAFETY ELEMENT (LOWER)	SEGURO DE INFERIOR	UNTERSICHERHEITSVORRICHTUNG	SÉCURITÉ EN DESSOUS
HC0567EU	SAFETY ELEMENT (LOWER)	SEGURO DE INFERIOR	UNTERSICHERHEITSVORRICHTUNG	SÉCURITÉ EN DESSOUS
HC0571EU	CUSHION (PAD)	AMORTIGUADOR	SCHUTZ	COUSSIN
KB3588EU	SCREW	TORNILLO	SCHRAUBE	VIS
KB6412EU	SCREW	TORNILLO	SCHRAUBE	VIS
KB6428EU	SPRING	RESORTE	FEDER	RESSORT
KB6598EU	PIN	PASADOR	STIFT	GOUPILLE
KB6601EU	PIN	PASADOR	STIFT	GOUPILLE
KB6602EU	SPRING	RESORTE	FEDER	RESSORT
KB6604EU	SPRING	RESORTE	FEDER	RESSORT
KB6606EU	SPRING	RESORTE	FEDER	RESSORT
KB6607EU	SCREW	TORNILLO	SCHRAUBE	VIS
KB9830EU	SCREW	TORNILLO	SCHRAUBE	VIS
KB9838EU	WASHER	ARANDELA	SCHEIBE	RONDELLE
KB9839EU	WASHER	ARANDELA	SCHEIBE	RONDELLE
KB9843EU	PIN	PASADOR	STIFT	GOUPILLE
KB9853EU	NUT	TUERCA	MUTTER	ÉCROU
KB9905EU	SCREW	TORNILLO	SCHRAUBE	VIS
LB1095EU	SEAL	SELLO	DICHTUNG	JOINT
LB1096EU	SEAL	SELLO	DICHTUNG	JOINT
LB1181EU	SEAL	SELLO	DICHTUNG	JOINT
LB1182EU	SEAL	SELLO	DICHTUNG	JOINT
LB1183EU	SEAL	SELLO	DICHTUNG	JOINT
LB1184EU	SEAL	SELLO	DICHTUNG	JOINT
LB1185EU	SEAL	SELLO	DICHTUNG	JOINT
LB1186EU	SEAL	SELLO	DICHTUNG	JOINT
LB1187EU	SEAL	SELLO	DICHTUNG	JOINT