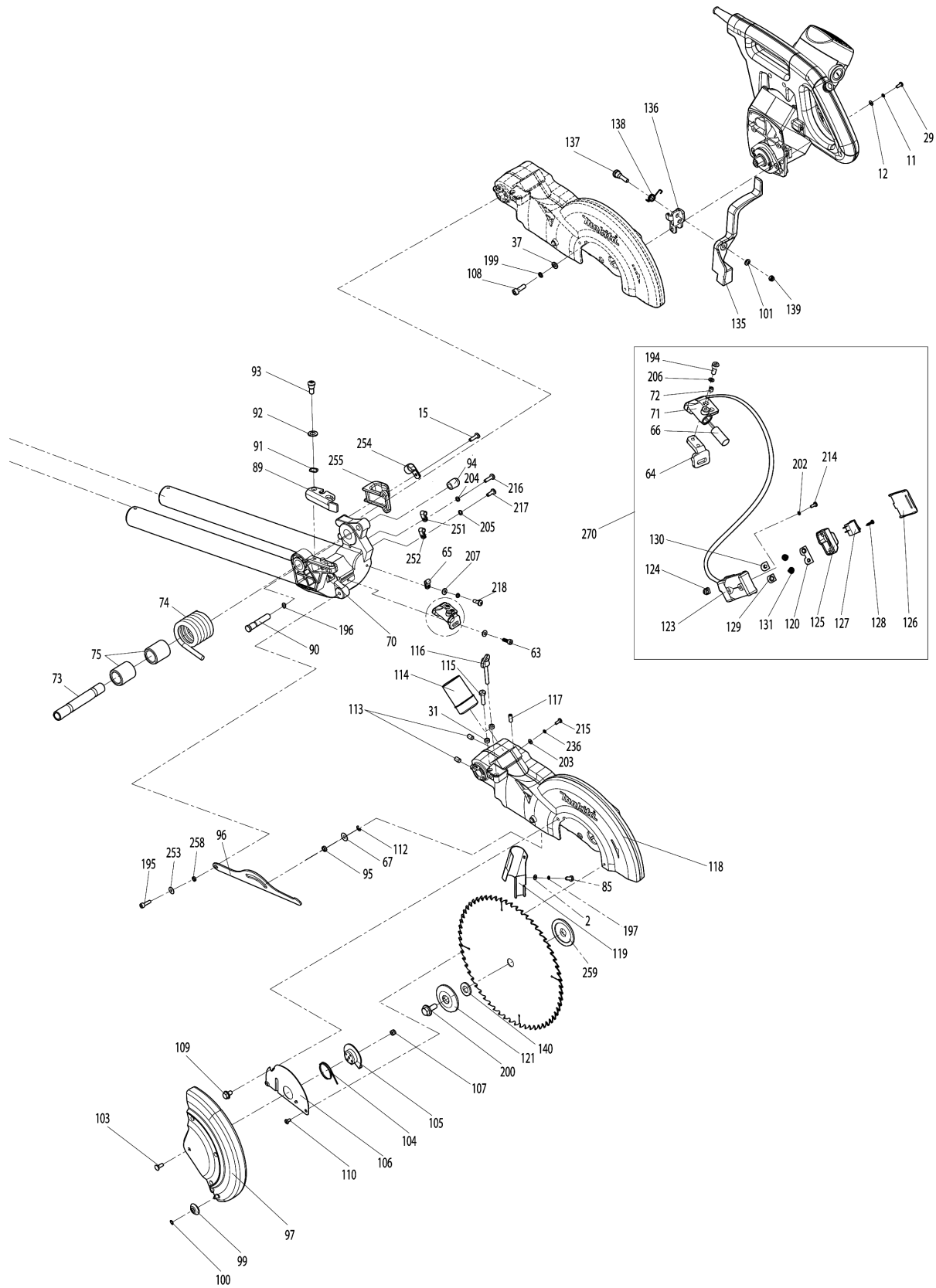
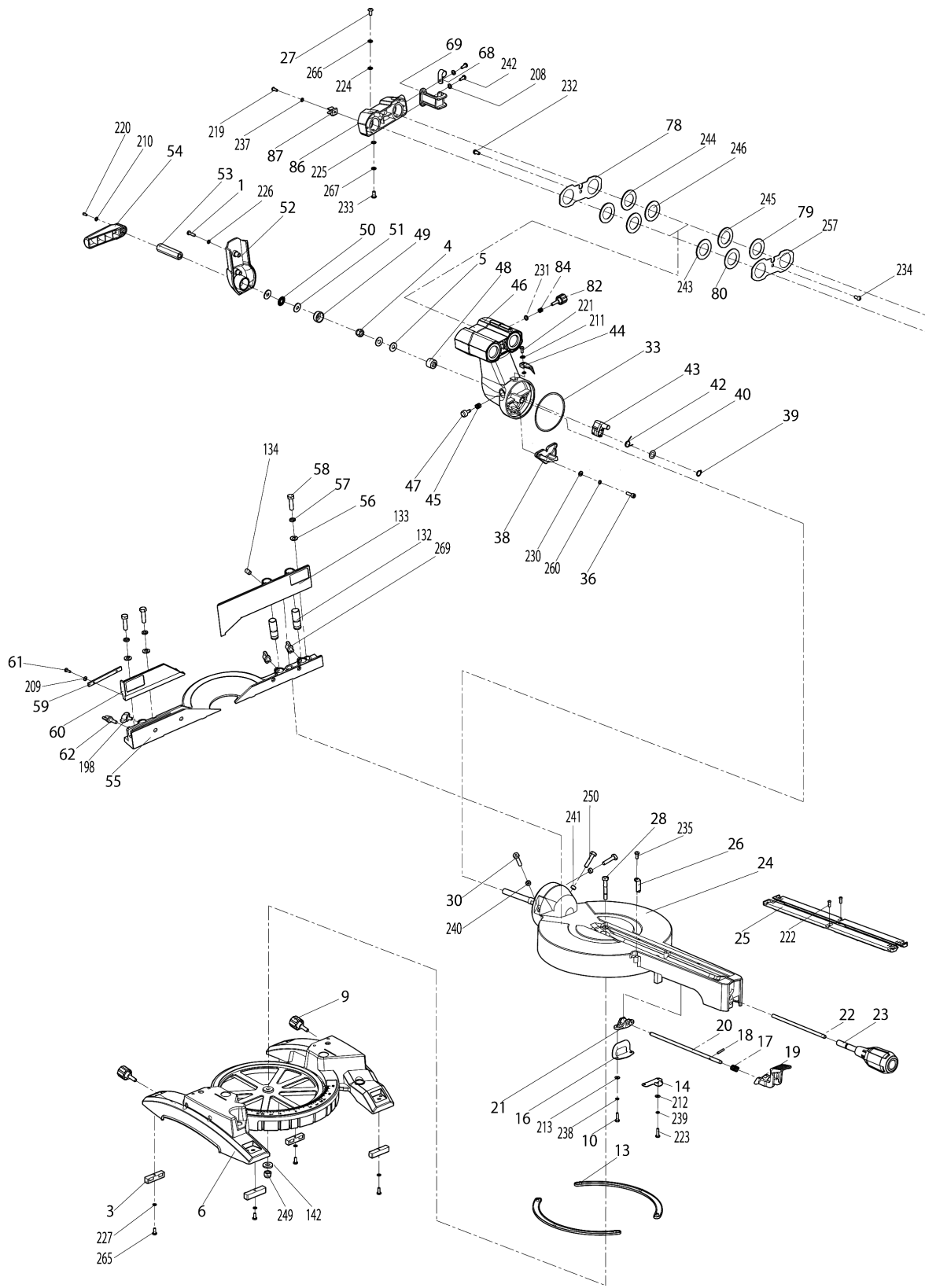


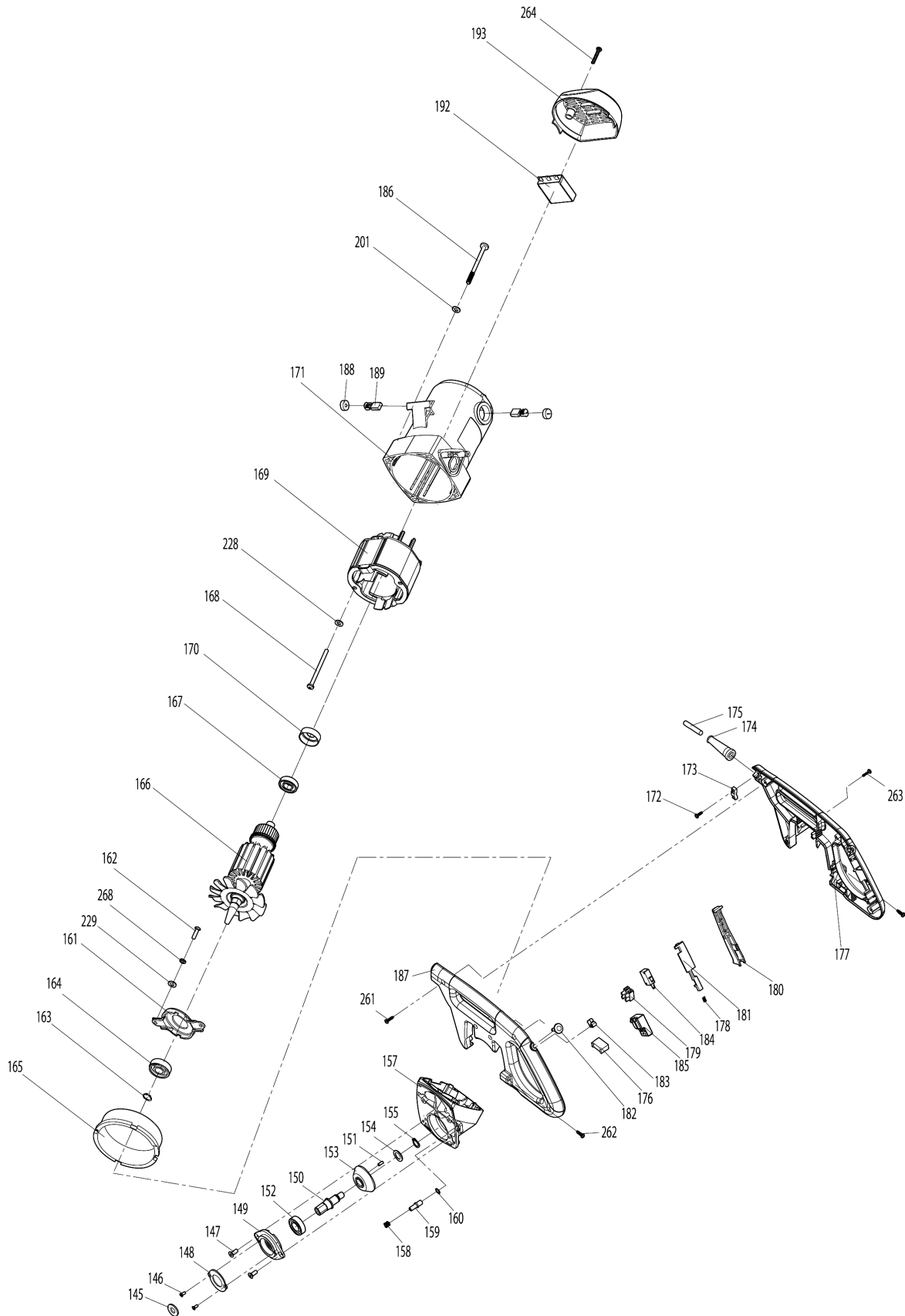
Model No.LS1018L 260MM SLIDE COMPOUND MITER SAW



Model No.LS1018L 260MM SLIDE COMPOUND MITER SAW



Model No.LS1018L 260MM SLIDE COMPOUND MITER SAW



Model No.LS1018L 260MM SLIDE COMPOUND MITER SAW

Item	Parts No.	Description	I/C	Qty	New/Old	Opt. 1	Opt. 2	Note
001	JM23100006	CROSS HEAD SCREW M5X20		2				
002	JM23100007	FLAT WASHER 5		2				
003	JM23100008	PAD		4				
004	JM23100009	LOCKNUT M10		1				
005	JM23100010	FLAT WASHER 10		2				
006	JM23100300	BASE COMPLETE		1				
C10	JM2708A060	CAUTION LABEL		2				
C20	JM23100012	MITER SCALE LABEL		1				
D10		INC. 7			*			
007	JM23100012	MITER SCALE LABEL		1	*			
009	JM23100013	KNOB FOR EXT.WING		2				
010	JM23100014	CROSS HEAD SCREW M4X15		2				
011	JM23100015	SPRING WASHER 4		2				
012	JM23100016	FLAT WASHER 4		2				
013	JM23100017	FRICITION PLATE		2				
014	JM23100018	LOCK PLATE A		1				
015	JM23100019	CROSS HEAD SCREW M4X18		2				
016	JM23100020	LOCK PLATE B		1				
017	JM23100021	LOCK SPRING		1				
018	JM23100022	LOCK PIN		1				
019	JM23100023	PRESS PLATE		1				
020	JM23100024	LOCK SHAFT B		1				
021	JM23100025	WORKING TABLE LOCKING BRACKET		1				
022	JM23100026	LOCK SHAFT A		1				
023	JM23100027	MITER LOCKING HANDLE		1				
024	JM23200100	WORKING TABLE COMPLETE		1				
C10	JM23200004	BEVEL SCALE		1				
C20	JM23100038	ELASTIC PIN 4X20		1				
C30	JM23100039	LOCKING ROD		1				
C40	JM23100009	LOCKNUT M10		1				
D10		INC. 32,34,35			*			
025	JM23100029	TABLE INSERT		2				
026	JM23100030	MITER POINTER		1				
027	JM23100031	CROSS HEAD SCREW M5X15		2				
028	JM23100032	PIVOT SHAFT		1				
029	JM23100033	CROSS HEAD SCREW M4X12		2				
030	JM23100034	HEX BOLT M6X28		1				
031	JM23100035	ANTI-LOOSEN RING		2				
032	JM23200004	BEVEL SCALE		1	*			
033	JM23100037	FRICITION RING		1				
034	JM23100038	ELASTIC PIN 4X20		1	*			
035	JM23100039	LOCKING ROD		1	*			

Please order the parts with part number.

Print Date 14/8/2019

Model No.LS1018L 260MM SLIDE COMPOUND MITER SAW

Item	Parts No.	Description	I/C	Qty	New/Old	Opt. 1	Opt. 2	Note
036	JM23100040	H.S.BOLT M6X20		3				
037	JM23100041	FLAT WASHER		4				
038	JM23200005	45DEGREE LIMIT BRACKET		1				
039	JM23100043	RETAINING RING 10		1				
040	JM23100044	FLAT WASHER 12X20X1		1				
041	JM23100045	ANGLE LIMIT SHAFT		1	*			
041-1	JM23100045	ANGLE LIMIT SHAFT		1				
042	JM23100046	90DEGREE BLOCK SPRING		1				
043	JM23100047	90DEGREE BLOCK		1				
044	JM23100048	BEVEL POINTER		1				
045	JM23100049	MITER PRESSION SPRING		1				
046	JM23100330	SUPPORT ARM COMPLETE		1				
C10	JM23100045	ANGLE LIMIT SHAFT		1	*			
C20	JM23100081	BUFFER		1				
C30	JM23100085	LINEAR BEARING		1				
C40	JM23100087	LOCK SCREW M6X8		1				
C50	JM23100081	BUFFER		1				
D10		INC. 77,79-81,83,243-246,256			*			
D11		INC. 79-80,243-246						
047	JM23100051	LIMITED KNOB		1				
048	JM23100052	CLAMP PLATE		1				
049	JM23100053	BOWL TYPE PLATE		1				
050	JM23100054	SURFACE BEARING		1				
051	JM23100055	BIG FLAT WASHER 10X26X2.5		2				
052	JM23100056	SLIDING BRACKET COVER		1				
053	JM23100057	HEX NUT		1				
054	JM23100058	BEVEL LOCKING HANDLE		1				
055	JM23100059	RIP FENCE		1	*			
055-1	JM23200037	RIP FENCE	O	1				
056	JM23100060	FLAT WASHER 8		4				
057	JM23100061	SPRING WASHER 8		4				
058	JM23100062	HEX BOLT M8X30		4				
059	JM23100063	KEY		1				
060	JM23100320	SUB FENCE COMPLETE		1	*			
C10	JM23180060	CAUTION LABEL		1	*			
060-1	JM23210006	SUB FENCE COMPLETE	<	1				
C10	JM23180060	CAUTION LABEL		1				
061	JM23100065	CROSS HEAD SCREW M4X8		2				
062	JM23100066	WING KNOB M6X20		1				
063	JM23100067	H.S.BOLT M4X12		1				
064	JM23100068	LASER MOVING FIX PLATE		1				
065	JM23100069	LASER CORD CLAMP		1				

Please order the parts with part number.

Print Date 14/8/2019

Model No.LS1018L 260MM SLIDE COMPOUND MITER SAW

Item	Parts No.	Description	I/C	Qty	New/Old	Opt. 1	Opt. 2	Note
066	JM23100070	LASER		1				
067	JM23100071	THIN FLAT WASHER 6		1				
068	JM23100072	CORD CLAMP		1				
069	JM23100073	CORD WRAP BRACKET		1				
070	JM23100340	UP BLADE GUARD BRACKET		1	*			
C10	JM23180059	CAUTION LABEL		1	*			
D10		INC. 76,141			*			
070-1	JM23100342	UP BLADE GUARD BRACKET CMPLT	O	1				
C10	JM23100145	ELASTIC PIN 5X30		2				
C20	JM23180059	CAUTION LABEL		1				
D10		INC. 76,141			*			
071	JM23100075	LASER BASE		1				
072	JM23100076	H.S.SCREW M4X10		1				
073	JM23100077	CONNECTION SHAFT		1				
074	JM23100078	TORSION SPRING		1				
075	JM23100079	LOCATION TUBE		2				
076	JM23100080	SLIDING BAR		2	*			
077	JM23100081	BUFFER		1	*			
078	JM23100082	BEARING BAFFLE		1				
079	JM23100083	LIMITED BRACKET		2				
080	JM23100084	DUSTPROOF RING		1				
081	JM23100085	LINEAR BEARING		3	*			
082	JM23100086	SLIDING BAR LOCKING KNOB		1				
083	JM23100087	LOCK SCREW M6X8		2	*			
084	JM23100088	PRESSURE SPRING		1				
085	JM23100089	CROSS HEAD SCREW M5X12		2				
086	JM23100090	SLIDING BAR REAR COVER		1				
087	JM23100091	WRENCH CLIP		1				
089	JM23100092	CUTTING DEPTH ADJUSTABLE PLATE		1				
090	JM23100093	PIN C		1	*			
090-1	JM23100193	PIN C	O	1				
091	JM23100094	WAVE SPRING WASHER		1				
092	JM23100095	FLAT WASHER 8X14X1		1				
093	JM23100096	DEPTH ADJUSTABLE PLATE BOLT		1				
094	JM23100097	PIN CAP		1				
095	JM23100098	LINK SLEEVE		1				
096	JM23100099	LINK		1				
097	JM23100350	LOWER BLADE GUARD COMPLETE		1				
C10	JM23100101	GUARD RIVET		3	*			
C20	JM23100105	LOWER BLADE GUARD PLATE		1	*			

Please order the parts with part number.

Print Date 14/8/2019

Model No.LS1018L 260MM SLIDE COMPOUND MITER SAW

Item	Parts No.	Description	I/C	Qty	New/Old	Opt. 1	Opt. 2	Note
C30	JM23100104	FLAT WASHER 5		3	*			
D10		INC. 98,101,102			*			
D11		INC. 101			*			
098	JM23100101	GUARD RIVET		3	*			
099	JM23100102	GUARD WHEEL		1				
100	JM23100103	WHEEL LOCK RING		1				
101	JM23100104	FLAT WASHER 5		1				
102	JM23100105	LOWER BLADE GUARD PLATE		1	*			
103	JM23100106	SQUARE NECK BOLT M6X12		1				
104	JM23100107	GUARD SPRING		1				
105	JM23100108	BOWL PLATE		1				
106	JM23100109	GUARD FIX PLATE		1				
107	JM23100110	LOCKNUT M6		1				
108	JM23200006	H.S.BOLT M6X22		4				
109	JM23100112	HEX BOLT FOR GUARD		1				
110	JM23100113	CROSSHEAD SCREW FOR GUARD		1				
111	JM23100114	LINK PIN		1	*			
112	JM23100115	RETAINING RING 5		1				
113	JM23100116	LOCK SCREW M6X12		2				
114	JM23100117	DUST PORT		1				
115	JM23100118	HEX BOLT M6X25		1				
116	JM23100119	LIMITED KNOB		1				
117	JM23100120	H.S.SCREW M6X15		1				
118	JM23100360	UP BLADE GUARD COMPLETE		1	*			
C10	JM23180058	CAUTION LABEL		1	*			
D10		INC. 143			*			
118-1	JM23200141	UP BLADE GUARD COMPLETE	O	1	*			
C10	JM23180058	CAUTION LABEL		1	*			
D10		INC. 143			*			
118-2	JM23200146	UP BLADE GUARD COMPLETE	O	1				
C10	JM23180058	CAUTION LABEL		1				
C20	JM23100114	LINK PIN		1				
C30	JM23100147	BUFFER		1				
D10		INC. 143			*			
119	JM23100122	DUST GUIDE PLATE		1				
120	JM23100123	COPPER CONNECTION PLATE		1				
121	JM23100124	BLADE FLANGE		1				
123	JM23100125	BATTERY BOX		1				
124	JM23100126	LASER CORD TUBE		1				
125	JM23100127	LASER SWITCH COVER		1				
126	JM23100128	BATTERY BOX COVER		1				
127	JM23100129	LASER SWITCH		1				

Please order the parts with part number.

Print Date 14/8/2019

Model No.LS1018L 260MM SLIDE COMPOUND MITER SAW

Item	Parts No.	Description	I/C	Qty	New/Old	Opt. 1	Opt. 2	Note
128	JM23100130	SELF-TAPPING SCREW 2.9X12		2				
129	JM23100131	ANODE COPPER SHEET		1				
130	JM23100132	CATHODE COPPER SHEET		1				
131	JM23100133	BATTERY BOX SPRING		2				
132	JM23200007	RIGHT SUB FENCE CONNECTION PIN		2				
133	JM23200110	RIGHT SUB FENCE COMPLETE		1				
C10	JM23280056	CAUTION LABEL		1				
134	JM23200009	H.S.SCREW WITH DOG POINT M6X10		2				
135	JM23200010	LOCK LEVER		1				
136	JM23200011	LOCK LEVER BRACKET		1				
137	JM23100139	LEVER SCREW		1				
138	JM23100140	LEVER SPRING		1				
139	JM23100141	LOCKNUT M5		1				
140	JM23100144	BLADE INNER RING		1				
141	JM23100145	ELASTIC PIN 5X30		2	*			
142	JM23100154	BIG FLAT WASHER 10		1				
143	JM23100147	BUFFER		1	*			
145	JM23200012	OUTPUT SHAFT RING 15.88		1				
146	JM23200013	COUNTERSUNK HEAD BOLT M4X10		2				
147	JM23200014	COUNTERSUNK HEAD BOLT M6X15		2				
148	JM23200015	BEARING PRESS PLATE		1				
149	JM23200016	BEARING COVER		1				
150	JM23200017	OUTPUT SHAFT		1				
151	JM23200018	KEY 4X10		1				
152	JM23200019	BEARING 6004		1	*			
152-1	JM23200031	BEARING 6003	X	1				
153	JM23200020	GEAR		1				
154	JM23200021	SHAFT WASHER		1				
155	JM23200022	RETAINING RING 14		1				
156	JM23200023	OIL BUSH		1	*			
157	JM23200130	GEAR BOX COMPLETE		1				
C10	JM23200023	OIL BUSH		1				
D10		INC. 156			*			
158	JM23200025	GEAR LOCK SPRING		1				
159	JM23200026	GEAR LOCK PIN		1				
160	JM23200027	RETAINING RING 10.5X1		1				
161	JM23200028	SHAFT FIX COVER		1				
162	JM23200029	CROSS HEAD SCREW M5X18		2				
163	JM23200030	RETAINING RING 16		1				
164	JM23200031	BEARING 6003		1				

Please order the parts with part number.

Print Date 14/8/2019

Model No.LS1018L 260MM SLIDE COMPOUND MITER SAW

Item	Parts No.	Description	I/C	Qty	New/Old	Opt. 1	Opt. 2	Note
165	JM23100168	BAFFLE RING		1				
166	JM23200001	ROTOR ASSEMBLY		1				
167	JM23200032	BEARING 6001		1				
168	JM23100170	SELF-TAPPING SCREW M5X70		2				
169	JM23100001	STATOR ASSEMBLY		1				
170	JM23100172	ABSORBER RING		1				
171	JM23200120	MOTOR HOUSE COMPLETE		1				
C10	JM23180056	CAUTION LABEL		1				
C20	JM23180057	CAUTION LABEL		1				
C30	JM23280021	NAME PLATE		1				
C40	JM23100184	CARBON BRUSH HOUSE		2				
C50	JM23100185	H.S.SCREW M5X8		2				
D10		INC. 190,191			*			
172	JM23100167	SELF TAPPING SCREW M4X16		2				
173	JM23100166	CORD CLAMP		1				
174	JM23100165	PROTECTION TUBE		1				
175	JM23000156	POWER SUPPLY CORD		1				
176	JM23100169	CAPACITOR		1				
177	JM23200034	RIGHT HANDLE		1				
178	JM23100176	SWITCH HANDLE SPRING		1				
179	JM23100171	TERMINAL POLE		1				
180	JM23100174	SWITCH HANDLE		1				
181	JM23100175	SWITCH LOCK PLATE		1				
182	JM23100177	BRAKE SYSTEM SWITCH KEY		1				
183	JM23100173	SWITCH LOCK BRACKET		1				
184	JM23100178	BRAKE SYSTEM SWITCH		1				
185	JM23100179	ELECTRIC SWITCH		1				
186	JM23200035	CROSS HEAD SCREW M6X50		4				
187	JM23200036	LEFT HANDLE		1				
188	JM23100182	SCREW CAP		2				
189	JM23100183	CARBON BRUSH		2	*			
189-1	JM23000123	CARBON BRUSH	O	2	*			
189-2	JM23000123	CARBON BRUSH	O	1				
190	JM23100184	CARBON BRUSH HOUSE		2	*			
191	JM23100185	H.S.SCREW M5X8		2	*			
192	JM23100186	SOFT STARTER		1				
193	JM23100188	MOTOR REAR COVER		1				
194	JM23100146	H.S.BOLT M4X10		2				
195	JM23100148	H.S.BOLT M6X20 WITH GLUE		1				
196	JM23100150	SEALING RING		1				
197	JM23100149	SPRING WASHER 5		2				
198	JM23100152	WING KNOB,M6X10		1				

Please order the parts with part number.

Print Date 14/8/2019

Model No.LS1018L 260MM SLIDE COMPOUND MITER SAW

Item	Parts No.	Description	I/C	Qty	New/Old	Opt. 1	Opt. 2	Note
199	JM23100151	SPRING WASHER 6		4				
200	JM23100153	BLADE BOLT		1				
201	JM23100190	SPECIAL WASHER 6		4				
202	JM23100016	FLAT WASHER 4		2				
203	JM23100016	FLAT WASHER 4		1				
204	JM23100016	FLAT WASHER 4		1				
205	JM23100016	FLAT WASHER 4		1				
206	JM23100016	FLAT WASHER 4		2				
207	JM23100016	FLAT WASHER 4		2				
208	JM23100016	FLAT WASHER 4		1				
209	JM23100016	FLAT WASHER 4		2				
210	JM23100016	FLAT WASHER 4		1				
211	JM23100016	FLAT WASHER 4		1				
212	JM23100016	FLAT WASHER 4		2				
213	JM23100016	FLAT WASHER 4		2				
214	JM23100033	CROSS HEAD SCREW M4X12		2				
215	JM23100033	CROSS HEAD SCREW M4X12		1				
216	JM23100033	CROSS HEAD SCREW M4X12		1				
217	JM23100033	CROSS HEAD SCREW M4X12		1				
218	JM23100033	CROSS HEAD SCREW M4X12		1				
219	JM23100033	CROSS HEAD SCREW M4X12		1				
220	JM23100033	CROSS HEAD SCREW M4X12		1				
221	JM23100033	CROSS HEAD SCREW M4X12		1				
222	JM23100033	CROSS HEAD SCREW M4X12		6				
223	JM23100033	CROSS HEAD SCREW M4X12		2				
224	JM23100007	FLAT WASHER 5		2				
225	JM23100007	FLAT WASHER 5		2				
226	JM23100007	FLAT WASHER 5		2				
227	JM23100007	FLAT WASHER 5		4				
228	JM23100007	FLAT WASHER 5		2				
229	JM23100007	FLAT WASHER 5		2				
230	JM23100041	FLAT WASHER		3				
231	JM23100041	FLAT WASHER		1				
232	JM23100089	CROSS HEAD SCREW M5X12		1				
233	JM23100089	CROSS HEAD SCREW M5X12		2				
234	JM23100089	CROSS HEAD SCREW M5X12		1				
235	JM23100089	CROSS HEAD SCREW M5X12		1				
236	JM23100015	SPRING WASHER 4		1				
237	JM23100015	SPRING WASHER 4		1				
238	JM23100015	SPRING WASHER 4		2				
239	JM23100015	SPRING WASHER 4		2				
240	JM23100035	ANTI-LOOSEN RING		1				

Please order the parts with part number.

Print Date 14/8/2019

Model No.LS1018L 260MM SLIDE COMPOUND MITER SAW

Item	Parts No.	Description	I/C	Qty	New/Old	Opt. 1	Opt. 2	Note
241	JM23100035	ANTI-LOOSEN RING		2				
242	JM23100019	CROSS HEAD SCREW M4X18		2				
243	JM23100083	LIMITED BRACKET		1				
244	JM23100083	LIMITED BRACKET		1				
245	JM23100084	DUSTPROOF RING		2				
246	JM23100084	DUSTPROOF RING		1				
247	JM23100104	FLAT WASHER 5		3	*			
248	JM23100009	LOCKNUT M10		1	*			
249	JM23100009	LOCKNUT M10		1				
250	JM23100034	HEX BOLT M6X28		2				
251	JM23100069	LASER CORD CLAMP		1				
252	JM23100069	LASER CORD CLAMP		1				
253	JM23100071	THIN FLAT WASHER 6		1				
254	JM23100072	CORD CLAMP		1				
255	JM23100073	CORD WRAP BRACKET		1				
256	JM23100081	BUFFER		1	*			
257	JM23100082	BEARING BAFFLE		1				
258	JM23100098	LINK SLEEVE		1				
259	JM23100124	BLADE FLANGE		1				
260	JM23100151	SPRING WASHER 6		3				
261	JM23100167	SELF TAPPING SCREW M4X16		5				
262	JM23100167	SELF TAPPING SCREW M4X16		1				
263	JM23100167	SELF TAPPING SCREW M4X16		2				
264	JM23100167	SELF TAPPING SCREW M4X16		2				
265	JM23100006	CROSS HEAD SCREW M5X20		4				
266	JM23100149	SPRING WASHER 5		2				
267	JM23100149	SPRING WASHER 5		2				
268	JM23100149	SPRING WASHER 5		2				
269	JM23100066	WING KNOB M6X20		2				
270	JM23100390	LASER ASSEMBLY		1				
D10		INC. 64,66,71,72,120,123-131,						
D20		INC. 194,202,206,214						
A01	JM23100500	EXTENSION WING		1	*			
A01-1	JM23100500	EXTENSION WING	<	2				
A02	782230-2	BOX WRENCH 13-3		1	*			
A02-1	JM23100197	BOX WRENCH 13-3	O	1				
A03	JM23100005	SAW BLADE		1				
A04	JM27000328	TRIANGLE PLATE		1				
A05	JM23100501	DUST BAG ASSEMBLY		1				
A06	JM23100502	WISE ASSEMBLY		1				

Please order the parts with part number.

Print Date 14/8/2019