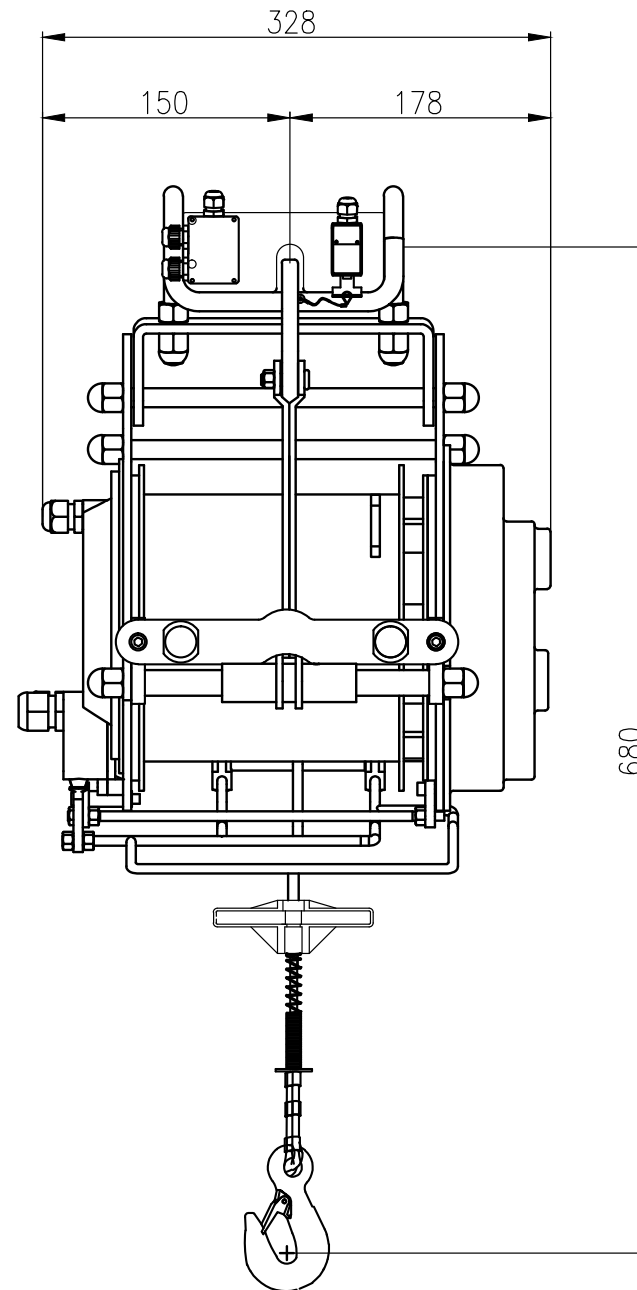
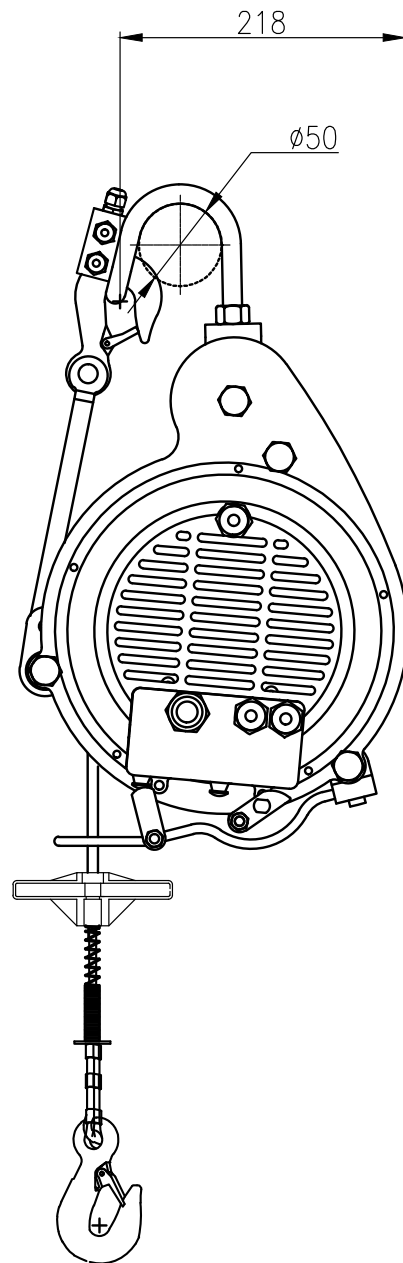




# SCAFFOLD HOIST TECHNICAL DIAGRAM



**VALUE WITHOUT COMPROMISE**