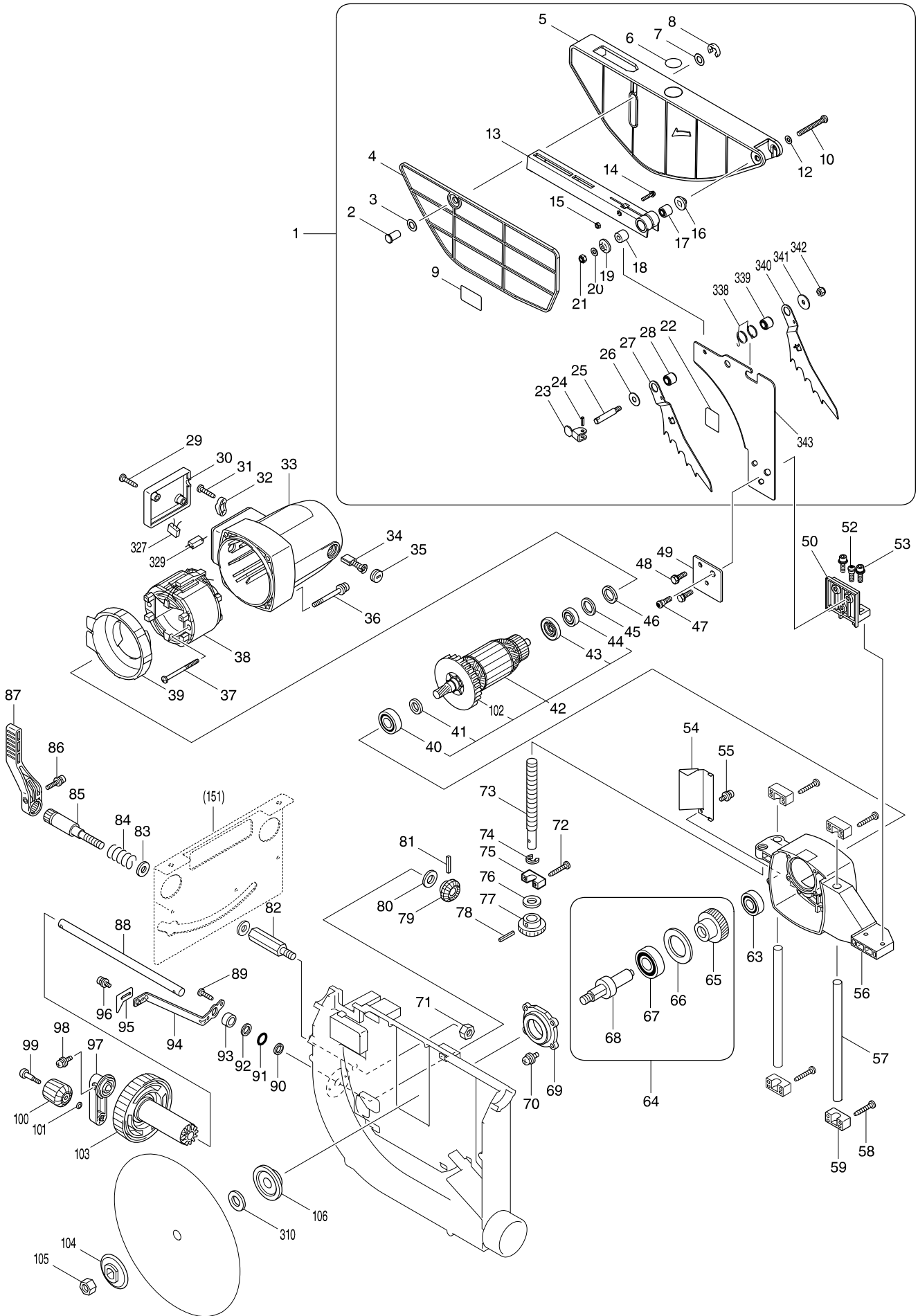
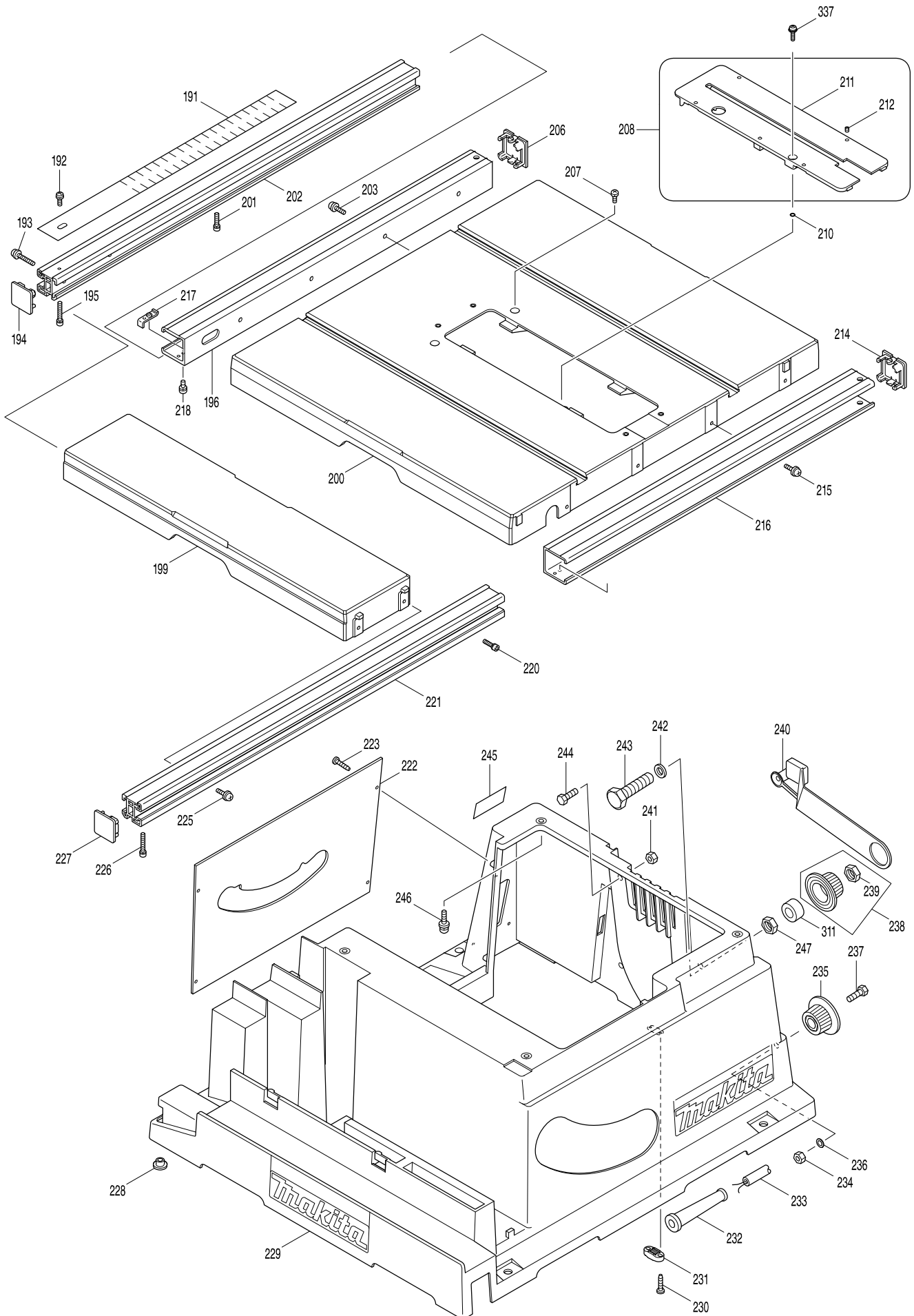


# Model No. 2704N 260MM TABLE SAW

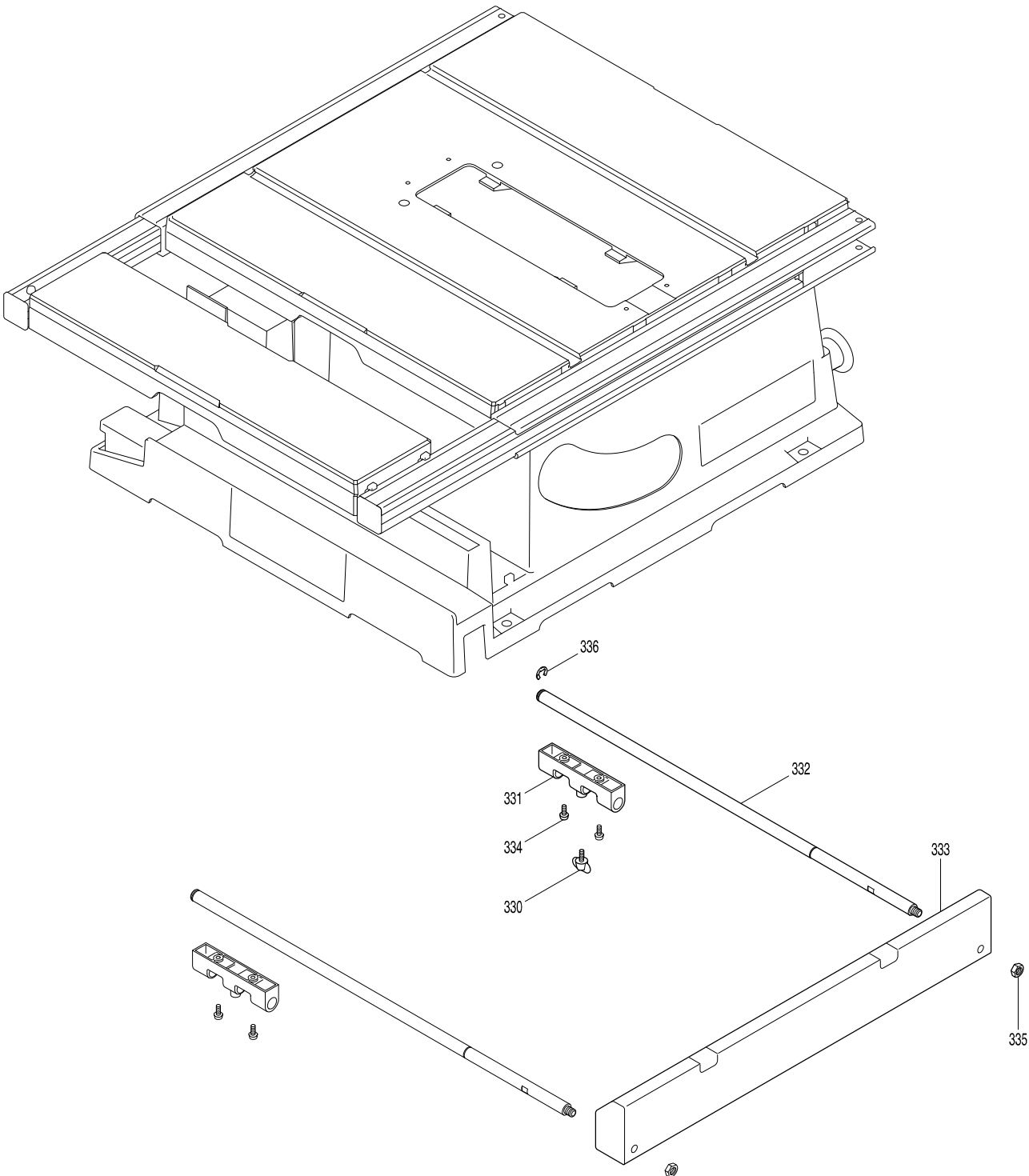




# Model No. 2704N 260MM TABLE SAW



**Model No. 2704N 260MM TABLE SAW**



# Model No. 2704N 260MM TABLE SAW

Item	Parts No.	Description	I/C	Qty	N/O	Opt. 1	Opt. 2	Note
001	123998-5	SAFETY GUARD ASSEMBLY		1				
D10		INC. 2-10,12-28,338-343						
002	268135-5	SHOULDER PIN 10		1				
003	253758-2	FLAT WASHER 10		1				
004	418910-1	SUB COVER		1	*			
004-1	458606-2	SUB COVER	X	1				
005	457741-3	COVER		1				
006	813L22-1	CAUTION LABEL		1				
007	253758-2	FLAT WASHER 10		1				
008	961015-1	STOP RING E-9		1				
009	890408-4	CAUTION LABEL		1				
010	251558-4	TORX-PLUS BOLT M6X50		1				
012	941151-9	FLAT WASHER 6		1				
013	457740-5	TOP GUARD		1				
014	911138-5	PAN HEAD SCREW M4X20		1				
015	931102-0	HEX. NUT M4		1				
016	344533-8	COLLER		1				
017	326990-2	SLEEVE 6		1				
018	326990-2	SLEEVE 6		1				
019	344533-8	COLLER		1				
020	941151-9	FLAT WASHER 6		1				
021	252014-7	HEX. LOCK NUT M6-10		1				
022	817G70-2	INDICATION LABEL		1				
023	345583-6	LOCK LEVER		1				
024	951104-0	SPRING PIN 4-12		1				
025	326989-7	LOCK SHAFT		1				
026	253731-2	FLAT WASHER 8		1				
027	347233-9	FINGER R		1				
028	326991-0	SLEEVE 8		1				
029	265995-6	TAPPING SCREW 4X18		2				
030	416341-8	COVER		1				
031	265995-6	TAPPING SCREW 4X18		2				
032	687054-0	STRAIN RELIEF		1				
033	154602-5	MOTOR HOUSING COMPLETE		1				
C10	643653-8	BRUSH HOLDER 6.5-13.5		2				
034	181044-0	CARBON BRUSH CB-153		1				
035	643650-4	BRUSH HOLDER CAP 6.5-13.5		2				
036	911383-2	PAN HEAD SCREW M6X60		4				
037	266029-8	TAPPING SCREW 5X65		2				
038	599546-6	FIELD ASS'Y 220-240V		1				
C10	654020-2	RING TERMINAL		2				
C20	654553-7	CONNECTOR 34137		2				
039	416331-1	BAFFLE PLATE		1				
040	211228-7	BALL BEARING 6202DDW		1				
041	253147-1	FLAT WASHER 15		1				
042	518765-5	ARMATURE ASS'Y 240V		1				
D10		INC. 40,41,43,44,102						
043	681640-9	INSULATION WASHER		1				

# Model No. 2704N 260MM TABLE SAW

Item	Parts No.	Description	I/C	Qty	N/O	Opt. 1	Opt. 2	Note
044	211088-7	BALL BEARING 6000DDW		1				
045	253198-4	FLAT WASHER 18		1				
046	261129-9	URETHANE WASHER 18		1				
047	251559-2	TORX-PLUS BOLT M6X20		1				
048	921331-3	HEX. BOLT M6X20		2				
049	347235-5	PRESSURE PLATE		1				
050	319602-4	KNIFE HOLDER		1				
052	251559-2	TORX-PLUS BOLT M6X20		1				
053	922334-0	HEX. SOCKET HEAD BOLT M6X20		2				
054	344536-2	GEAR HOUSING PLATE		1				
055	911213-7	PAN HEAD SCREW M5X12		1				
056	126760-7	GEAR HOUSING COMPLETE		1				
C10	263005-3	RUBBER PIN 6		1				
057	323736-7	GUIDE BAR		2				
058	266040-0	TAPPING SCREW CT 4X25		8				
059	416340-0	GUIDE BAR RETAINER		4				
063	211051-0	BALL BEARING 609LLB		1				
064	154595-6	SPINDLE COMPLETE		1				
D10		INC. 65-68						
065	226602-6	HELICAL GEAR 42		1				
066	267170-0	FLAT WASHER 34		1				
067	211278-2	BALL BEARING 6203DDW		1				
068	324556-2	SPINDLE		1				
069	316933-2	BEARING BOX		1				
070	911233-1	PAN HEAD SCREW M5X20		4				
071	931502-4	HEX. NUT M10		1				
072	266040-0	TAPPING SCREW CT 4X25		2				
073	322968-3	SCREW BAR		1				
074	961016-9	STOP RING E-10		1				
075	416339-5	SCREW BAR RETAINER		1				
076	941302-4	FLAT WASHER 12		1				
077	226747-0	STRAIGHT BEVEL GEAR		1				
078	951116-3	SPRING PIN 4-20		1				
079	226747-0	STRAIGHT BEVEL GEAR		1				
080	941302-4	FLAT WASHER 12		1				
081	951116-3	SPRING PIN 4-20		1				
082	324562-7	LOCK LEVER CONNECTOR		1				
083	253024-7	FLAT WASHER 10		2				
084	231315-6	COMPRESSION SPRING 14		1				
085	322967-5	LOCK LEVER SHAFT		1				
086	922232-8	HEX. SOCKET HEAD BOLT M5X20		1				
087	272248-6	LEVER 120		1				
C10	931202-6	HEX. NUT M5		1				
088	324563-5	HANDLE SHAFT		1				
089	266034-5	TAPPING SCREW CT 4X16		2				
090	253143-9	FLAT WASHER 12		1				
091	213107-5	O RING 12		1				
092	253052-2	FLAT WASHER 12		1				

# Model No. 2704N 260MM TABLE SAW

Item	Parts No.	Description	I/C	Qty	N/O	Opt. 1	Opt. 2	Note
093	214114-1	PLANE BEARING 12		1				
094	345520-0	STAY		1				
095	344543-5	POINTER		1				
096	922103-9	HEX. SOCKET HEAD BOLT M4X6		1				
097	271074-0	ARM 60		1				
C10	931202-6	HEX. NUT M5		1				
098	911223-4	PAN HEAD SCREW M5X16		1				
099	251382-5	+ PAN HEAD SCREW M5		1				
100	271423-1	KNOB 32		1				
101	267010-2	FLAT WASHER 5		1				
102	240003-4	FAN 80		1				
103	271073-2	HANDLE 100		1				
104	224482-4	OUTER FLANGE 53		1				
105	252155-9	HEX. NUT M12-19		1				
106	224401-0	INNER FLANGE 53		1				
107	273523-3	GRIP		1				
108	345534-9	HANDLE PLATE		1				
109	257161-9	RING 4		1				
110	941051-3	FLAT WASHER 4		1				
111	922116-0	HEX. SOCKET HEAD BOLT M4X12		1				
112	252130-5	HEX. LOCK NUT M10-17		1				
113	941251-5	FLAT WASHER 10		2				
114	911223-4	PAN HEAD SCREW M5X16		4				
115	345539-9	HANDLE PLATE HOLDER		1				
116	345534-9	HANDLE PLATE		1				
117	257161-9	RING 4		1				
118	941051-3	FLAT WASHER 4		1				
119	922116-0	HEX. SOCKET HEAD BOLT M4X12		1				
120	257753-4	SLEEVE 10		1				
121	265536-8	HEX.BOLT M16X65		1				
122	273523-3	GRIP		1				
123	265382-9	HEX. SOCKET HEAD BOLT M5X20		1				
124	324559-6	HOOK RING		1				
125	233229-5	COMPRESSION SPRING 8		1				
126	418655-1	ROD HOLDER		1				
127	418655-1	ROD HOLDER		1				
128	345535-7	JOINT PLATE		1				
130	922116-0	HEX. SOCKET HEAD BOLT M4X12		2				
131	922116-0	HEX. SOCKET HEAD BOLT M4X12		1				
132	941051-3	FLAT WASHER 4		1				
133	257161-9	RING 4		1				
134	324675-4	ROD JOINT		1				
135	324673-8	ROD R		1				
136	324674-6	ROD F		1				
137	911128-8	P.H.SCREW M4X16 WITH WR		2				
138	911128-8	P.H.SCREW M4X16 WITH WR		2				
140	922116-0	HEX. SOCKET HEAD BOLT M4X12		2				
141	922116-0	HEX. SOCKET HEAD BOLT M4X12		1				

# Model No. 2704N 260MM TABLE SAW

Item	Parts No.	Description	I/C	Qty	N/O	Opt. 1	Opt. 2	Note
142	941051-3	FLAT WASHER 4		1				
143	257161-9	RING 4		1				
144	324675-4	ROD JOINT		1				
145	911128-8	P.H.SCREW M4X16 WITH WR		2				
146	418655-1	ROD HOLDER		1				
147	911323-0	PAN HEAD SCREW M6X16		2				
148	687049-3	STRAIN RELIEF		1				
149	251308-7	+ PAN HEAD SCREW M4X10		1				
150	664094-5	POWER SUPPLY CORD 1.5-5-0.5		1				
151	345628-0	PLATE		1				
152	416333-7	RACK PLATE		1				
153	911213-7	PAN HEAD SCREW M5X12		2				
154	418655-1	ROD HOLDER		1				
155	233229-5	COMPRESSION SPRING 8		1				
156	324559-6	HOOK RING		1				
157	265382-9	HEX. SOCKET HEAD BOLT M5X20		1				
158	911128-8	P.H.SCREW M4X16 WITH WR		2				
159	318020-3	ADJUST BLOCK		1				
160	344529-9	SLIDE SEAT		2				
161	232174-1	LEAF SPRING		2				
162	345535-7	JOINT PLATE		1				
163	416439-1	DUST GUIDE		1				
164	266034-5	TAPPING SCREW CT 4X16		2				
165	318253-0	FRAME		1				
166	418917-7	DUST JOINT		1				
167	266061-2	TAPPING SCREW BIND CT 4X8		2				
168	154599-8	FRAME COVER COMPLETE		1				
169	911114-9	PAN HEAD SCREW M4X10		1				
170	911333-7	PAN HEAD SCREW M6X20		4				
171	416332-9	FRAME RETAINER		2				
172	265460-5	HEX. BOLT M6X20		2				
174	266300-0	TAPPING SCREW 4X18		2				
175	413097-4	SLIDE COVER		1				
176	266035-3	TAPPING SCREW BIND CT 5X12		4				
177	418918-5	SWITCH BOX		1				
178	682511-3	GROMMET		1	*			
178-1	682103-8	GROMMET	<	1				
179	265995-6	TAPPING SCREW 4X18		2				
180	687054-0	STRAIN RELIEF		1				
181	418912-7	SWITCH BASE		1				
183	265995-6	TAPPING SCREW 4X18		2				
184	682511-3	GROMMET		1	*			
184-1	682103-8	GROMMET	<	1				
185	265995-6	TAPPING SCREW 4X18		2				
186	687052-4	STRAIN RELIEF		1				
190	266192-7	TAPPING SCREW 4X14		3				
191	816844-6	INNER SCALE PLATE		1				
192	251308-7	+ PAN HEAD SCREW M4X10		1				



# Model No. 2704N 260MM TABLE SAW

Item	Parts No.	Description	I/C	Qty	N/O	Opt. 1	Opt. 2	Note
193	911253-5	PAN HEAD SCREW M5X30		2				
194	418908-8	INNER RAIL END		1				
195	922146-1	HEX. SOCKET HEAD BOLT M4X25		1				
196	154705-5	FRONT OUTER RAIL COMPLETE		1				
C10	816843-8	OUTER SCALE PLATE		1				
199	317877-9	SUB TABLE		1				
200	158952-0	TABLE COMPLETE		1				
201	922126-7	HEX. SOCKET HEAD BOLT M4X16		1				
202	158104-3	FRONT INNER RAIL COMPLETE		1				
203	911233-1	PAN HEAD SCREW M5X20		4				
206	418907-0	OUTER RAIL END		1				
207	265045-7	+ PAN HEAD SCREW M5X18		2				
208	126901-5	CENTER COVER ASSEMBLY		1				
210	213023-1	O RING 4		1				
211	319717-7	CENTER COVER		1				
212	266264-8	H.S.SET SCREW(FLAT POINT)M5X6		4				
214	418907-0	OUTER RAIL END		1				
215	911233-1	PAN HEAD SCREW M5X20		4				
216	317867-2	REAR OUTER RAIL		1				
217	345529-2	RAIL STOPPER		1				
218	251308-7	+ PAN HEAD SCREW M4X10		1				
220	922126-7	HEX. SOCKET HEAD BOLT M4X16		1				
221	158103-5	REAR INNER RAIL COMPLETE		1				
222	345533-1	BASE FRONT COVER		1				
223	266192-7	TAPPING SCREW 4X14		4				
225	911253-5	PAN HEAD SCREW M5X30		2				
226	922146-1	HEX. SOCKET HEAD BOLT M4X25		1				
227	418908-8	INNER RAIL END		1				
228	286212-1	CAP 20		4				
229	154608-3	BASE COMPLETE		1				
C10	810107-2	CAUTION LABEL		1				
C20	819176-0	MAKITA LOGO PLATE		3				
230	265995-6	TAPPING SCREW 4X18		2				
231	687052-4	STRAIN RELIEF		1				
232	682516-3	CORD GUARD 9.3-85		1				
233	665865-3	POWER SUPPLY CORD 1.0-2-2.5		1				
234	931302-2	HEX. NUT M6		2				
235	271318-8	KNOB 37		2				
236	941151-9	FLAT WASHER 6		2				
237	921342-8	HEX. BOLT M6X25		2				
238	271320-1	KNOB 37		1				
D10		INC. 239						
239	252197-3	HEX.NUT M14		1				
240	421926-7	HOLDER		1				
241	931402-8	HEX. NUT M8		1				
242	253797-2	FLAT WASHER 14		1				
243	265537-6	HEX.BOLT M14X65		1				
244	921462-8	HEX. BOLT M8X40		1				

# Model No. 2704N 260MM TABLE SAW

Item	Parts No.	Description	I/C	Qty	N/O	Opt. 1	Opt. 2	Note
245	854B85-8	2704N NAME PLATE		1				
246	911344-2	PAN HEAD SCREW M6X25		4				
247	252197-3	HEX.NUT M14		1				
310	257262-3	RING 16		1				
311	262559-7	SLEEVE 14		1				
312	345536-5	BASE UNDER COVER		1				
313	266192-7	TAPPING SCREW 4X14		4				
314	418618-7	PIN		1				
315	418618-7	PIN		1				
316	418616-1	SWITCH BUTTON ON		1				
317	443103-1	FELT RING 6		1				
318	443103-1	FELT RING 6		1				
319	231025-5	COMPRESSION SPRING 8		1				
320	231025-5	COMPRESSION SPRING 8		1				
321	253186-1	FLAT WASHER 7		1				
322	253186-1	FLAT WASHER 7		1				
323	418617-9	SWITCH BUTTON OFF		1				
324	652772-9	RELAY 305.232.01		1				
325	631613-2	SOFT START CIRCUIT		1				
326	654561-8	TERMINAL BLOCK		1				
327	645006-7	NOISE SUPPRESSOR		1				
328	645105-5	NOISE SUPPRESSOR		1				
329	646049-2	CHOKE COIL		1				
330	265740-9	SCREW M5X15		2				
331	317879-5	SLIDE ROD HOLDER		2				
332	324564-3	REAR ROD		2				
333	345537-3	REAR TABLE		1				
334	922221-3	HEX. SOCKET HEAD BOLT M5X16		4				
335	931502-4	HEX. NUT M10		2				
336	961016-9	STOP RING E-10		2				
337	911233-1	PAN HEAD SCREW M5X20		1				
338	232387-4	TORSION SPRING 17		1				
339	326991-0	SLEEVE 8		1				
340	347232-1	FINGER L		1				
341	253010-8	FLAT WASHER 6		1				
342	252014-7	HEX. LOCK NUT M6-10		1				
343	347234-7	RIVING KNIFE		1				
A01	B-17712	T.C.T. SAW BLADE 260X30X24T		1				
A02	419093-0	JOINT		1				
A03	457742-1	PUSH STICK		1				
A04	781038-1	WRENCH 19		1				
A05	782024-5	WRENCH 13-22		1				
A06	783203-8	HEX. WRENCH 5		1				
A07	122734-6	ANGLE RULE ASS'Y		1	*			
D10		COMPO-PARTS			*			
A07-1	127069-0	ANGLE RULE ASSEMBLY	<	1				
D10		COMPO-PARTS						
A08	122739-6	RULER ASS'Y		1				

